

Sicit®



UNIVERSAL JOINTS PROPELLER SHAFTS AND COMPONENTS



GENERAL CATALOGUE
2023/2024

Sicit®



FOR THOSE WHO DEMAND THE BEST

Sicit has been a trusted partner in the field of cardan-shaft mechanical transmissions for 60 years, furnishing both complete transmissions and specific components for applications ranging for the automotive sector to heavy duty industry.



MADE IN ITALY

www.sicit.it



Index

The Company	4
Universal Joints	11
Commercial Vehicles and trucks	14
Heavy duty Universal Joints	23
Various applications and Agriculture	25
Mechanics - Various applications	26
Lube for cups	27
Single Component	31
-X. 078 SERIES	32
-X. 090A SERIES	34
-X. 100 SERIES	36
-X. 100A SERIES	38
-X. 100B SERIES	40
-X. 113 SERIES	42
-X. 116 SERIES	44
-X. 122 SERIES	46
-X. 126 SERIES	48
-X. 127 SERIES	50
-X. 130 SERIES	52
-X. 136 SERIES	54
-X. 142 SERIES	56
-X. 148 SERIES	58
-X. 158 SERIES	60
-X. 158A SERIES	62
-X. 158B SERIES	64
-X. 170 SERIES	66
-X. 172 SERIES	68
-X. 178 SERIES	70
-X. 178B SERIES	72
-X. 182 SERIES	74
-X. 186 SERIES	76
-X. 190 SERIES	78
-X. 204 SERIES	80
-X. 204A SERIES	82
-X. 215 SERIES	83
-X. 220 SERIES	84
-X. 225B SERIES	85
-X. 240 SERIES	86
-X. 250B SERIES	87
-X. 265B SERIES	88
-X. 285C SERIES	89
Center Support Bearing	91
Cardan Shafts	100

The Company



Tomorrow, here and now

SICIT responds promptly to market demands for ever higher levels of quality and cooperates with high prestige customers such as **DANA, GKN, IVECO, OERLIKON, SKF.**

Today, **SICIT** is one of the most highly qualified partners worldwide for the automotive and industrial application in aftermarket and for services companies.

Production was focussed initially on universal joint for automotive, extending then on application to industrial sectors. Today, applications of the entire cardan-shaft transmission have been developed in both sectors, automotive and industrial.

Quality

All **SICIT** product manufacturing processes are strictly controlled and supported by documentation, so we are able to provide all the PPAP documentation.

Achievement of the **Zero Defects target** is guaranteed and maintained applying an organisational model that stimulates and motivates all **SICIT** co-workers to dedicate attention to continuous quality improvement and to furnishing absolutely flawless products.

CERTIFICATION

The **SICIT Quality Management System** complies the requirements of the **ISO 9001:2015** standard as regards the production of universal joints for cardan shafts.

Development

Investments in production and quality control have fostered expansion of production, improved organization of resources and development on new international markets that appreciate the top quality, expertise and fast response that make **SICIT** products particularly appreciated abroad, especially for high prestige applications.

This is an encouraging perspective for the **development of new product lines:**

- heavy duty universal joints
- cardan shaft for automotive and industrial applications.

Environment

SICIT is attentive to the environment, so dedicate maximum attention to managing industrial waste and our processes are designed to minimise waste and rejects.

Made in Italy

We like to think that SICIT universal joints are the best invention 'Made in Italy' after... the one of Girolamo Cardano, the inventor of the universal joint!

MADE IN ITALY

Time-to-market

SICIT is particularly attentive to market demands in particular to requirements of the Aftermarket, producing parts that are interchangeable with the OEM ones.

Just in time

Fast customer response has always been one of SICIT's strong points and a distinctive feature on international aftermarkets.

www.sicit.it



71A2

Universal Joints

Universal Joints
Figures

COMMERCIAL VEHICLES AND TRUCKS

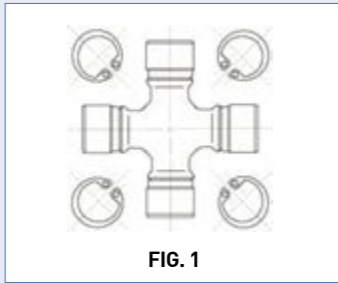


FIG. 1
External locking - long lifebearing

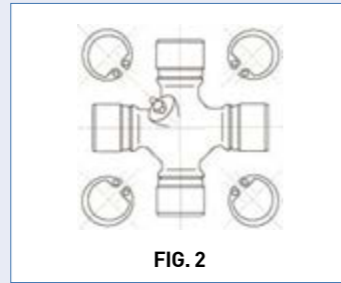


FIG. 2
External locking - side grease nipple

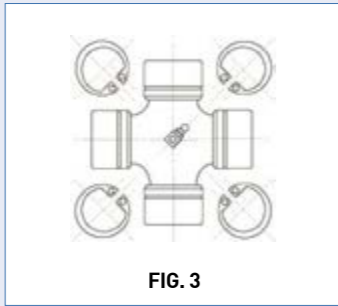


FIG. 3
External locking - central grease nipple

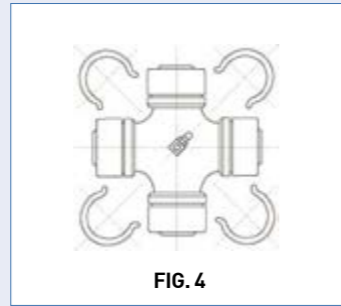


FIG. 4
Internal locking - central grease nipple

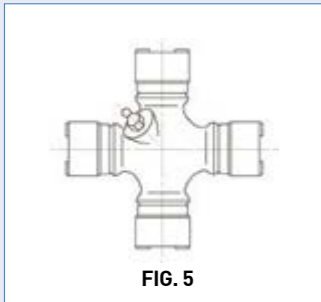


FIG. 5
Backplates - lateral grease nipple

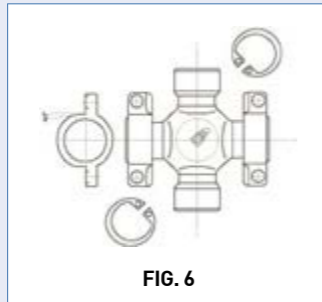


FIG. 6
External locking - central grease nipple - Scania type

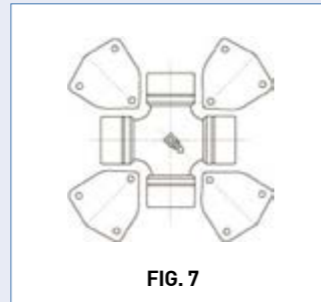


FIG. 7
External locking with plate and bolts - central grease nipple - Volvo type

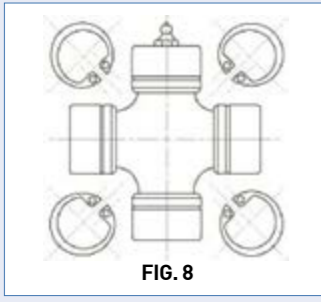


FIG. 8
External locking - grease nipple on bearing

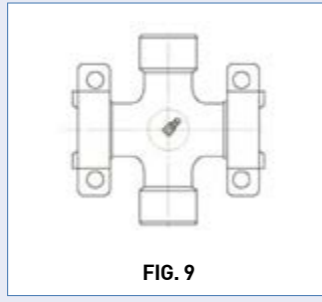


FIG. 9
External locking - Threaded-brackets holes - central grease nipple - Scania type

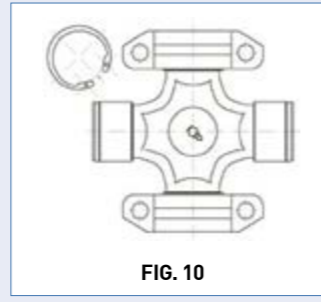


FIG. 10
External locking - central grease nipple - Scania Telma type

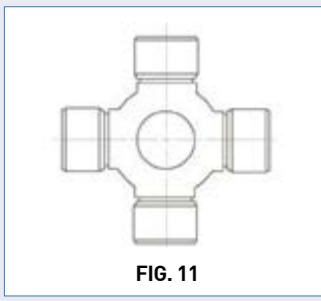


FIG. 11
Staked

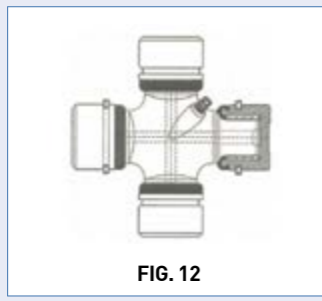


FIG. 12
Internal locking - Side grease nipple

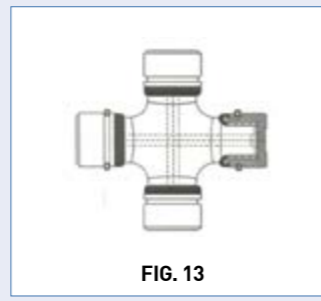


FIG. 13
Internal locking - Lube for life

COMMERCIAL VEHICLES AND TRUCKS

All our joints are supplied with INA bearing cups. Versions with other bearings are listed in detail.

DIAM.	LENGHT	SICIT CODE	DESCRIPTION	OEM-OTHERS REFERENCES	FIG.	ULT U. Joint life torque capacity [Nm]	TFAT Reversing dynamic/ fatigue torque [Nm]	FT Functional limit torque [Nm]
19,00	48,00	ST4020	STAKED	GMB ST1948	3-11			
19,00	55,70	ST1955	STAKED	DACIA DUSTER	11			
24,00	56,50	ST1300	STAKED	BMW	11			
24,00	62,50	ST1310	STAKED	NISSAN X-TRAIL/QASHQAI - NISSAN 37000-BR52A	11			
24,00	64,20	ST1320	STAKED	NISSAN SERENA	11	450	900	1170
24,00	74,40	ST1330	STAKED	MERCEDES VITO/MIANO U 728/4 MERCEDES-BENZ 123 410 0131, 309 410 0231	11			
24,00	88,00	ST1340	STAKED	MERCEDES CL 6394100131	11			
27,00	71,00	1180.10/MOD	LUBE FOR LIFE	BTB 310	1			
27,00	71,00	1180/MOD-IC	VARIOUS APPLICATION-AVAILABLE WITH ONE OR MORE DRILLED BEARING CUPS	BTB 310	3			
27,00	71,00	ST1170	STAKED	FORD TRANSIT	11			
27,00	74,50	ST1180	STAKED	MERCEDES SPRINTER 9034100131	11			
27,00	74,50	1270	AVAILABLE WITH ONE OR MORE DRILLED BEARING CUPS	FIAT-IVECO DAILY-GWB 687.15	3	520	900	1352
27,00	74,50	1270.10	LUBE FOR LIFE	GWB 687.15	1			
27,00	74,50	20150	COMPACT 2015-AVAILABLE WITH ONE OR MORE DRILLED BEARING CUPS	UCNR 18387	3			
27,00	74,50	20150.10	LUBE FOR LIFE - COMPACT 2015	UCNR 18871	1			
27,00	74,60	1180	SIDE GREASE NIPPLE-AVAILABLE WITH ONE OR MORE DRILLED BEARING CUPS	FIAT 1400/615-U110-1300 - LAND ROVER RTC 3458, RTC 4587, TVC 100010	2			
27,00	79,80	ST1350	STAKED	NEW FORD TRANSIT	11			
27,00	80,00	ST1210	STAKED	VOLKSWAGEN	11			
27,00	80,00	1360/MOD	SIDE GREASE NIPPLE-AVAILABLE WITH ONE OR MORE DRILLED BEARING CUPS	HYUNDAI-GMB - HYUNDAI 49140-43000, 49140-43001, 49140-4A000, 49140-4A500, SB 000 056 MITSUBISHI SB000056	2			
27,00	81,70	1370.10	LUBE FOR LIFE	IVECO GRINTA/DAILY	1			

COMMERCIAL VEHICLES AND TRUCKS

All our joints are supplied with INA bearing cups. Versions with other bearings are listed in detail.

DIAM.	LENGHT	SICIT CODE	DESCRIPTION	OEM-OTHERS REFERENCES	FIG.	ULT U. Joint life torque capacity [Nm]	TFAT Reversing dynamic/ fatigue torque [Nm]	FT Functional limit torque [Nm]
27,00	81,75	1360	AVAILABLE WITH ONE OR MORE DRILLED BEARING CUPS	FIAT-SAE 13.10-ROBER - DAEWOO 3311501000 RENAULT 5000295260 - IVECO 5001014054	2			
27,00	88,00	ST1190	STAKED	MERCEDES NEW SPRINTER 9064100131				
30,00	81,80	2200	AVAILABLE WITH ONE OR MORE DRILLED BEARING CUPS	GWB 287.10 - MAN81392006003	3			
30,00	81,80	2200.10	LUBE FOR LIFE		1			
30,00	82,40	2210	VARIOUS APPLICATIONS AVAILABLE WITH ONE OR MORE DRILLED BEARING CUPS		3			
30,00	82,40	2210.10	LUBE FOR LIFE		1	640	1000	1664
30,00	83,00	5420	AVAILABLE WITH ONE OR MORE DRILLED BEARING CUPS	ELBE	3			
30,17	106,30	2300	AVAILABLE WITH ONE OR MORE DRILLED BEARING	IVECO-U 200	2			
30,18	81,80	20200	COMPACT 2020-AVAILABLE WITH ONE OR MORE DRILLED BEARING CUPS	UCNR 17450	3			
30,18	81,80	20200.10	LUBE FOR LIFE - COMPACT 2020	UCNR 18872	1			
30,20	81,80/82	1500	CENTRAL GREASE NIPPLE-AVAILABLE WITH ONE OR MORE DRILLED BEARING CUPS	GWB 687.20-MB 6204100131 - IVECO 42530886 RENAULT TRUCKS 5000806121, 5001860801	3	660	1100	1716
30,20	81,80/82	1500.10	LUBE FOR LIFE		1			
30,20	92,00	4090	SIDE GREASE NIPPLE-AVAILABLE WITH ONE OR MORE DRILLED BEARING CUPS	40.10W VAN(4X4)-U220-1350	2			
30,20	92,00	4090/IC	CENTRAL GREASE NIPPLE-AVAILABLE WITH ONE OR MORE DRILLED BEARING CUPS	40.10W VAN(4X4) - LAND ROVER TVC500010 ROVER TVC500010	3			
30,20	106,30	1280		IVECO 79.10-VOLVO F82-F420-GKN 1410 - IVECO 92601339, 93158199 RENAULT TRUCKS 5000295989, 5000821043, 5001830868 VOLVO 608921, 6852586	2			
31,00	88,20	ST2240	STAKED - 1 GREASE NIPPLE ON CUP	U 325-17173 - MERCEDES-BENZ A9064102106	8/11			
31,00	88,20	ST2240.10	STAKED	U 325-17173	11			
31,00	110,00	2230	AVAILABLE WITH ONE OR MORE DRILLED BEARING CUPS	DAIMLER CHRYSLER ATEGO-IVECO	3			
31,00	110,00	2230.10		DAIMLER CHRYSLER ATEGO-IVECO 9704100031	1			

COMMERCIAL VEHICLES AND TRUCKS

All our joints are supplied with INA bearing cups. Versions with other bearings are listed in detail.

DIAM.	LENGHT	SICIT CODE	DESCRIPTION	OEM-OTHERS REFERENCES	FIG.	ULT U. Joint life torque capacity [Nm]	TFAT Reversing dynamic/ fatigue torque [Nm]	FT Functional limit torque [Nm]
34,92	92,20	2890	AVAILABLE WITH ONE OR MORE DRILLED BEARING CUPS	IVECO-GWB 687.25	3	1200	2100	3120
34,92	92,20	20250	COMPACT 20225-AVAILABLE WITH ONE OR MORE DRILLED BEARING CUPS	UCNR 18217	3			
34,92	92,20	20250.10	COMPACT 20225	UCNR 18572	1			
34,92	106,40	2880	AVAILABLE WITH ONE OR MORE DRILLED BEARING CUPS	IVECO EUROCARGO-GWB 687.30-U 917	3			
34,92	106,40	2880.10			3			
34,92	106,40	20300	COMPACT 2030	UCNR 17412	3			
34,92	106,40	20300.10	COMPACT 2030	UCNR 18573	1			
34,92	126,00	5060	VARIOUS APPLICATIONS-AVAILABLE WITH ONE OR MORE DRILLED BEARING CUPS	U952 SP1550	2	950	2000	2470
35,00	96,80	2220	AVAILABLE WITH ONE OR MORE DRILLED BEARING CUPS	MAGIRUS-GWB 587.10-287.20 - DAF 542635 RENAULT TRUCKS 5001831142, 5001831864	3			
35,00	96,80	2220.10	LUBE FOR LIFE		1	1200	2100	3120
35,00	106,40	2870.10	LUBE FOR LIFE	IVECO VOLVO 20361999	1			
38,00	57,00	2100		MERCEDES 3854100241/U730	4	1800	3000	4680
38,00	104,50	1930/MOD	VARIOUS APPLICATIONS - 587.12	587.12	3			
38,00	105,80	1910	AVAILABLE ALSO WITH SKF BEARING CUP- AVAILABLE WITH ONE OR MORE DRILLED BEARING CUPS	MAN 81392006005-DAF 1800DT4X4- GWB 387.20 - DAF 314851, 607339	3			
38,00	105,80	1910.10X/SKF	LUBE FOR LIFE - AVAILABLE WITH ONE OR MORE DRILLED BEARING CUPS		1			
38,00	106,00	1930	AVAILABLE ALSO WITH SKF BEARING CUP- AVAILABLE WITH ONE OR MORE DRILLED BEARING CUPS	ELBE 113	3			
38,00	106,00	1930.10X/SKF	AVAILABLE WITH ONE OR MORE DRILLED BEARING CUPS	ELBE 113	1			
38,00	106,00							
38,00	106,00							
38,00	106,00							
38,00	106,00							

COMMERCIAL VEHICLES AND TRUCKS

All our joints are supplied with INA bearing cups. Versions with other bearings are listed in detail.

DIAM.	LENGHT	SICIT CODE	DESCRIPTION	OEM-OTHERS REFERENCES	FIG.	ULT U. Joint life torque capacity [Nm]	TFAT Reversing dynamic/ fatigue torque [Nm]	FT Functional limit torque [Nm]
38,00	110,00	1920	CENTRAL GREASE NIPPLE-AVAILABLE ALSO WITH SKF BEARING CUP- AVAILABLE WITH ONE OR MORE DRILLED BEARING CUPS	IVECO 93192007-UNIMOG-MAN L2000-U365	3	1800	3000	4680
38,00	110,00	1920.10X/SKF	LUBE FOR LIFE - AVAILABLE WITH ONE OR MORE DRILLED BEARING CUPS		1			
38,00	148,00	1860	TWO 90° BRACKETS -AVAILABLE WITH ONE OR MORE DRILLED BEARING CUPS	SCANIA 1879537	6			
38,00	148,00	1870/C	TWO 4.5° BRACKETS- AVAILABLE WITH ONE OR MORE DRILLED BEARING CUPS	SCANIA P30-300 - U946 - 4673415 IVECO 5953964, 7981058, 7981059, 93157124, 93163668, 9932706, 1422433 RENAULT TRUCKS 5000295260, 5000803045, 5000819298, 5001831553 VOLVO 1068253, 1651237	6			
38,00	148,00	1870.10X/CSKF	TWO 4.5° BRACKETS- AVAILABLE WITH ONE OR MORE DRILLED BEARING CUPS	SCANIA	1/6			
39,00	116,40	1020	UJOINT TP. 650 S/TAGLIO	FIAT	2			
39,67	115,79	1140	UJOINT TP. 300 PC.	IVECO 300PC/180 NC- U350-H 1510	2			
39,67	116,02	2520	LATERAL GREASE NIPPLE	IVECO COMPACT	2			
39,67	116,02	2520/IC	CENTRAL GREASE NIPPLE -	IVECO COMPACT	3			
39,70	115,90	2420		VOLVO F84-F465-F609 - IVECO 4679190, 7984508 RENAULT 5000806165 VOLVO 36590, 6621656, 6852612, 6876177, 83453	2			
42,00	66,40	2060		MERCEDES 3854100131/U 747	4			
42,00	104,50	2380	AVAILABLE ALSO WITH SKF BEARING CUP- AVAILABLE WITH ONE OR MORE DRILLED BEARING CUPS	IVECO 330-GWB 587.15	3			
42,00	104,50	2380.10		IVECO 330D	1			
42,00	104,50	2380.10X/SKF	AVAILABLE ONLY WITH SKF BEARING CUP	IVECO 330 D	1			
42,00	106,00	2390	AVAILABLE ALSO WITH SKF BEARING CUP- AVAILABLE WITH ONE OR MORE DRILLED BEARING CUPS	MERCEDES 617 410 0031	3			
42,00	106,00	2390.10	LUBE FOR LIFE	MERCEDES 617 410 0032	1			
42,00	106,00	2390.10X/SKF	LUBE FOR LIFE -AVAILABLE ONLY WITH SKF BEARING CUP	MERCEDES 617 410 0032	1			
42,00	117,50	2050	CENTRAL GREASE NIPPLE OR ON CUP	ELBE	3			

COMMERCIAL VEHICLES AND TRUCKS

All our joints are supplied with INA bearing cups. Versions with other bearings are listed in detail.

DIAM.	LENGHT	SICIT CODE	DESCRIPTION	OEM-OTHERS REFERENCES	FIG.	ULT U. Joint life torque capacity [Nm]	TFAT Reversing dynamic/ fatigue torque [Nm]	FT Functional limit torque [Nm]
42,00	119,40	2680	AVAILABLE ALSO WITH SKF BEARING CUP	IVECO/EUROCARGO-VOLVO-GWB 687.35-2035-GWB 687.35-20358 - DAF 1288224, 1451320 IVECO 93192015, 42533841	3	2100	3100	5460
42,00	119,40	2680.10	LUBE FOR LIFE	IVECO/EUROCARGO-VOLVO-GWB 687.35-2035-GWB 687.35-U993	1			
42,00	119,40	2680.10X/SKF	LUBE FOR LIFE - AVAILABLE ONLY WITH SKF BEARING CUP	EUROCARGO-2035-GWB 687.35-U933	1			
42,00	123,00	2690	VARIOUS APPLICATIONS- AVAILABLE ALSO WITH SKF BEARING CUP- AVAILABLE WITH ONE OR MORE DRILLED BEARING CUPS		3			
44,00	126,20	2440	KIT WITH PLATES AND BOLTS - SUITABLE TO VOLVO F7-F86-F89-U380	VOLVO 232458/ F7-F86-F89-U380 - VOLVO 20362604, 231626, 232458	7	2900	4800	7540
44,00	149,00	2140		SCANIA U384	2			
45,00	120,45	1420		MERCEDES-3314100031/U753-U932 - MERCEDES-BENZ 3044100031, 3174100031, 3314100031, 4100031, A0004100031, A3044100031, A3174100031, A3314100031	3			
45,00	131,00	2290	VARIOUS APPLICATIONS	ELBE 116	3			
47,64	135,00	2460		VOLVO F87-N86-N88	2			
47,64	135,00	1400		FIAT 150-159-BUS 421 IVECO 130-140-160	2			
47,68	135,20	2660	COMPACT 2040	IVECO-EUROCARGO-GWB 687.40-U965-MAN 81.39108-6050 - DAF 1250299, 1291683	3			
47,68	135,20	2660.10X		IVECO 93160516, 93191198, 93192881, 94350918	1			
48,00	116,50	1760	AVAILABLE ALSO WITH SKF BEARING CUP- AVAILABLE WITH ONE OR MORE DRILLED BEARING CUPS	RENAULT TRUCKS 5000816506, 5001836379	3			
48,00	116,50	1760.10	LUBE FOR LIFE	IVECO-EUROCARGO-GWB 687.40	1			
48,00	116,50	1760.10X/SKF	LUBE FOR LIFE - AVAILABLE ONLY WITH SKF BEARING CUP	IVECO 330-GWB 587.20	1			
48,00	126,00	2320	AVAILABLE ALSO WITH SKF BEARING CUP- AVAILABLE WITH ONE OR MORE DRILLED BEARING CUPS	MERCEDES 3814100231-U765 - IVECO 42485180, 5990411 MERCEDES-BENZ 3604100231, 3814100231, 3854100531, 3854100731, 3864100031, 3874100131, 3874100731, 9734100031, 9734310031, A3604100231, A3814100231, A3854100531, A3854100731, A3864100031, A3874100131, A3874100731, A9734100031, A9734310031 RENAULT 5000802423 RENAULT TRUCKS 5000802423 MAN 3874100131	3	3000	5000	7800
48,00	126,00	2320.10	LUBE FOR LIFE	MERCEDES	1			
48,00	126,00	2320.10X/SKF	LUBE FOR LIFE - AVAILABLE ONLY WITH SKF BEARING CUP	MERCEDES U930	1			
48,00	131,20	2280	AVAILABLE ALSO WITH SKF BEARING CUP- AVAILABLE WITH ONE OR MORE DRILLED BEARING CUPS	BUS DENNIS 75/0405-KEMPF	3			
48,00	135,40	1780	AVAILABLE ALSO WITH SKF BEARING CUP- AVAILABLE WITH ONE OR MORE DRILLED BEARING CUPS	IVECO 93192015-MAN-DAF 81391266033	3	3200	6400	8320
48,00	135,40	1780.10	LUBE FOR LIFE	IVECO	1			

COMMERCIAL VEHICLES AND TRUCKS

All our joints are supplied with INA bearing cups. Versions with other bearings are listed in detail.

DIAM.	LENGHT	SICIT CODE	DESCRIPTION	OEM-OTHERS REFERENCES	FIG.	ULT U. Joint life torque capacity [Nm]	TFAT Reversing dynamic/ fatigue torque [Nm]	FT Functional limit torque [Nm]
48,00	161,00	1820	TWO 90° BRACKETS - AVAILABLE ALSO WITH SKF BEARING CUP	SCANIA	6	3600	7400	9360
48,00	161,00	1830/C	TWO 4.5° BRACKETS - AVAILABLE ALSO WITH SKF BEARING CUP	SCANIA	6			
48,00	161,00	1830/TELMA	TWO 4.5° BRACKETS -AVAILABLE ALSO WITH SKF BEARING CUP	SCANIA-TELMA	10			
48,00	161,00	1830/F	TWO 4.5° BRACKETS WITH THREADED HOLES - AVAILABLE ALSO WITH SKF BEARING CUP	SCANIA	9			
48,00	161,00	1830/FSKF	TWO 4.5° BRACKETS WITH THREADED HOLES - AVAILABLE ALSO WITH SKF BEARING CUP	SCANIA	9			
48,00	161,00	1830.10/F	TWO 4.5° BRACKETS WITH THREADED HOLES - AVAILABLE ALSO WITH SKF BEARING CUP-LUBE FOR LIFE	SCANIA	1			
48,00	161,00	1830.10/C	LUBE FOR LIFE -TWO 4.5° BRACKETS	SCANIA 365901, 1879538	1/6			
48,00	161,00	1830.10X/CSKF	LUBE FOR LIFE -TWO 4.5° BRACKETS - AVAILABLE ALSO WITH SKF BEARING CUP	SCANIA	1/6			
48,00	161,00	1831	VARIOUS APPLICATION - AVAILABLE ALSO WITH SKF BEARING CUP	U 948	3			
49,00	135,00	1000		FIAT 642 TRASMISSION	5			
49,00	155,00	1040		FIAT 682 TRASMISSION	5			
49,22	154,68	1120		FIAT 697 TRASMISSION	5			
49,25	154,93	2340	SIDE GREASE NIPPLE	FIAT COMPACT	2			
49,25	154,93	2340/IC	CENTRAL GREASE NIPPLE	FIAT COMPACT-GWB 687.50	3			
50,00	152,60	2080		SCANIA-GWB 287.40	2			
50,00	152,60	2480	KIT WITH PLATES AND BOLTS	VOLVO 1651032/ F10-F12-F88-SERIE 400-NK 400-U381 - VOLVO 1651032, 231519, 232459	7			

COMMERCIAL VEHICLES AND TRUCKS

All our joints are supplied with INA bearing cups. Versions with other bearings are listed in detail.

DIAM.	LENGHT	SICIT CODE	DESCRIPTION	OEM-OTHERS REFERENCES	FIG.	ULT U. Joint life torque capacity [Nm]	TFAT Reversing dynamic/ fatigue torque [Nm]	FT Functional limit torque [Nm]
52,00	133,00	1560	AVAILABLE ALSO WITH SKF BEARING CUP- AVAILABLE WITH ONE OR MORE DRILLED BEARING CUPS	IVECO-MERCEDES 3314100031 1681,1620,1622,1624-GWB 587.30-U756 DAF 264354 FIAT 002969532, 002984515, 008198583, 02969532, 02984515, 08198583, 2969532, 2984515, 42493397, 8198583, 93192751 MERCEDES-BENZ 0004100531, 3354100031 RENAULT 0003397100, 5000242009 VOLVO 232362	3	3300	6500	8580
52,00	133,00	1560.10	LUB FOR LUBE	MERCEDES	1			
52,00	133,00	1560.10X/SKF	LUB FOR LUBE - AVAILABLE ONLY WITH SKF BEARING CUP	MERCEDES	1			
52,00	147,20	2700	AVAILABLE ALSO WITH SKF BEARING CUP- AVAILABLE WITH ONE OR MORE DRILLED BEARING CUPS	IVECO-EUROTECH-GWB 687.45-COMPACT 2045-U909	3			
52,00	147,20	2700/SKF	AVAILABLE ALSO WITH SKF BEARING CUP- AVAILABLE WITH ONE OR MORE DRILLED BEARING CUPS	IVECO-EUROTECH-GWB 687.45 COMPACT 2045-U909 VOLVO 1068247	3	3800	7200	9880
52,00	147,20	2700.10	LUBE FOR LIFE	IVECO/EUROTECH-U934-MAN 81.39126-6030/ VOLVO 1068247	1			
52,00	147,20	2700.10X/SKF	LUBE FOR LIFE- AVAILABLE ALSO WITH SKF BEARING CUP	IVECO/EUROTECH-U934 - DAF 1250300, 1288226, 1608402 IVECO 42533410, 93192012, 93192882 RENAULT TRUCKS 7401068247 VOLVO 1068247, 1651164, 276336	1			
53,00	135,00	1600	AVAILABLE ALSO WITH SKF BEARING CUP- AVAILABLE WITH ONE OR MORE DRILLED BEARING CUPS	MERCEDES 6204100131/ 389/286.37-U993-U547 - MERCEDES- BENZ 0004100231, 0004101628, 3434100631, 3634100031, 3634100631, 6204100131, 9424100131	3	3400	6900	8840
53,00	135,00	1600.10	LUBE FOR LIFE	MERCEDES	1			
53,00	135,00	1600.10X/SKF	LUBE FOR LIFE - AVAILABLE ONLY WITH SKF BEARING CUP	MERCEDES-U994	1			
57,00	144,00	1720	AVAILABLE ALSO WITH SKF BEARING CUP- AVAILABLE WITH ONE OR MORE DRILLED BEARING CUPS	IVECO 190-330-GWB 587.35/36-U813 - DAF 505698, 689962 FIAT 02980217, 093190028, 2980217, 42491973, 93190028 RENAULT 5000559743, 5000815148 VOLVO 232363, 232540	3	4000	7500	10400
57,00	144,00	1720.10	LUBE FOR LIFE	IVECO	1			
57,00	144,00	1720.10X/SKF	LUBE FOR LIFE - AVAILABLE ONLY WITH SKF BEARING CUP	IVECO	1			
57,00	152,00	1620	AVAILABLE ALSO WITH SKF BEARING CUP- AVAILABLE WITH ONE OR MORE DRILLED BEARING CUPS	MERCEDES-MAN 3874100031- 1924,1524,1525-GWB 587.42 - DAF 1235571S, 1288229S IVECO 42533784S, 93192966S MERCEDES-BENZ 0004100131, 3874100031, 6204100031, 9404100031, A0004100131, A3874100031, A6204100031, A9404100031 RENAULT TRUCKS 7401068250 VOLVO 1068250S, 1651229S MAN-DAF 3874100031	3	4600	9500	11960

COMMERCIAL VEHICLES AND TRUCKS

All our joints are supplied with INA bearing cups. Versions with other bearings are listed in detail.

DIAM.	LENGHT	SICIT CODE	DESCRIPTION	OEM-OTHERS REFERENCES	FIG.	ULT U. Joint life torque capacity [Nm]	TFAT Reversing dynamic/ fatigue torque [Nm]	FT Functional limit torque [Nm]
57,00	152,00	1620.10	LUBE FOR LIFE	MERCEDES/VOLC-VOLVO 1068250	1			
57,00	152,00	1620.10X/SKF	LUBE FOR LIFE - AVAILABLE ONLY WITH SKF BEARING CUP	MERCEDES	1			
57,00	152,00	1630	GREASE NIPPLE ON CUP- AVAILABLE WITH ONE OR MORE DRILLED BEARING CUPS	MERCEDES-GWB 587.42	8	4600	9500	11960
57,00	152,00	1640	AVAILABLE ALSO WITH SKF BEARING CUP- AVAILABLE WITH ONE OR MORE DRILLED BEARING CUPS	687.55-U763	3			
57,00	152,70	2640	KIT WITH PLATES AND BOLTS - AVAILABLE ALSO WITH SKF BEARING CUP	VOLVO 1651229/ NK500-U990 MAN 81.39374-6003 - VOLVO 1067293	7			
57,00	152,70	2640.10	LUBE FOR LIFE - KIT WITH PLATES AND BOLTS	VOLVO	1/7	4000	7500	10400
57,00	152,70	2640.10X/SKF	LUBE FOR LIFE - KIT WITH PLATES AND BOLTS- AVAILABLE ONLY WITH SKF BEARING CUP	VOLVO	1/7			
57,00	164,00	1840	TWO 90° BRACKETS - AVAILABLE ALSO WITH SKF BEARING CUP	SCANIA	6			
57,00	164,00	1850/C	TWO 4,5° BRACKETS -AVAILABLE ALSO WITH SKF BEARING CUP	SCANIA 390225/P50,500-112M-T114 1797425	6			
57,00	164,00	1850/CSKF	TWO 4,5° BRACKETS -AVAILABLE ALSO WITH SKF BEARING CUP	SCANIA 390225/P50,500-112M-T114	6			
57,00	164,00	1850.10/C	LUBE FOR LIFE - TWO 4.5° BRACKETS	SCANIA	1/6			
57,00	164,00	1850.10X/CSKF	LUBE FOR LIFE - TWO 4.5° BRACKETS - AVAILABLE ONLY WITH SKF BEARING CUP	SCANIA	1/6	5100	10500	13260
57,00	164,00	1850/F	TWO 4,5° BRACKETS WITH THREADED HOLES -AVAILABLE ALSO WITH SKF BEARING CUP	SCANIA	9			
57,00	164,00	1850/FSKF	TWO 4,5° BRACKETS WITH THREADED HOLES -AVAILABLE ALSO WITH SKF BEARING CUP	SCANIA	9			
57,00	164,00	1850.10/F	TWO 4,5° BRACKETS WITH THREADED HOLES -AVAILABLE ALSO WITH SKF BEARING CUP-LUBE FOR LIFE	SCANIA	1			
57,00	164,00	1851	VARIOUS APPLICATION - AVAILABLE ALSO WITH SKF BEARING CUP	U949	1			
57,00	172,00	2620	AVAILABLE ALSO WITH SKF BEARING CUP- AVAILABLE WITH ONE OR MORE DRILLED BEARING CUPS	IVECO TURBOSTAR-DAF	3			
57,00	172,00	2620.10	LUBE FOR LIFE	IVECO TURBOSTAR-DAF	1			

COMMERCIAL VEHICLES AND TRUCKS

All our joints are supplied with INA bearing cups. Versions with other bearings are listed in detail.

DIAM.	LENGHT	SICIT CODE	DESCRIPTION	OEM-OTHERS REFERENCES	FIG.	ULT U. Joint life torque capacity [Nm]	TFAT Reversing dynamic/ fatigue torque [Nm]	FT Functional limit torque [Nm]
57,00	172,00	2620.10X/SKF	LUBE FOR LIFE -AVAILABLE ONLY WITH SKF BEARING CUP	IVECO TURBOSTAR-DAF	1			
58,98	167,35	1100		FIAT 697 TRASMISSION-92601338	5			
59,00	167,60	2540		VOLVO 1068253/GWB 687.60-2060 - IVECO 42533785 RENAULT 5000295260	3			
59,00	167,60	2540.10	LUBE FOR LIFE	VOLVO 1068253, 1651237	1	6500	12770	16900
59,00	167,60	2540.10/SKF	LUBE FOR LIFE-AVAILABLE ONLY WITH SKF BEARING CUP	VOLVO-U936	1			
65,00	172,00	2180	AVAILABLE ALSO WITH SKF BEARING CUP	IVECO TURBOSTAR STRALIS-GWB 587.48,687.65-2065 - DAF 1288240 IVECO 8194583, 93156581, 93159498 MERCEDES-BENZ 6454100131 RENAULT 5001845132	3			
65,00	172,00	2180.10	LUBE FOR LIFE	IVECO TURBOSTAR STRALIS-GWB 587.48,687.65-2065DAF	1	6900	13250	17940
65,00	172,00	2180.10X/SKF	LUBE FOR LIFE- AVAILABLE ONLY WITH SKF BEARING CUP	IVECO TURBOSTAR STRALIS-GWB 587.48,687.65-2065DAF	1			
65,00	172/190	3020	COMBINED-HOMOKINETC	IVECO TURBOSTAR-SCANIA	3			
65,00	190,00	1880	AVAILABLE ALSO WITH SKF BEARING CUP	SCANIA 386073 113-E,P60,P600 1879541, 1.15200	3			
65,00	190,00	1880.10	LUBE FOR LIFE	SCANIA 1422442	1	7000	15000	18200
65,00	190,00	1880.10X/SKF	LUBE FOR LIFE- AVAILABLE ONLY WITH SKF BEARING CUP	SCANIA	1			
68,00	89,00	1660	AVAILABLE ALSO WITH SKF BEARING CUP	MERCEDES 6564100131/ MB 385.60-U567-U462 - 9424100031	4			
68,00	89,00	1660.10	LUBE FOR LIFE	MERCEDES 9424100031/ MB 385.60-U992	1/4	7200	15000	18720
68,00	89,00	1660.10X/SKF	LUBE FOR LIFE	MERCEDES MB 385.60-U992	1/4			
68,00	117,00	1680	AVAILABLE ALSO WITH SKF BEARING CUP	MERCEDES	4			
68,00	117,00	1680.10	LUBE FOR LIFE	MERCEDES-U996	1/4	7000	15000	18200
68,00	117,00	1680.10X/SKF	LUBE FOR LIFE- AVAILABLE ONLY WITH SKF BEARING CUP	MERCEDES-U996	1/4			

HEAVY DUTY UNIVERSAL JOINTS

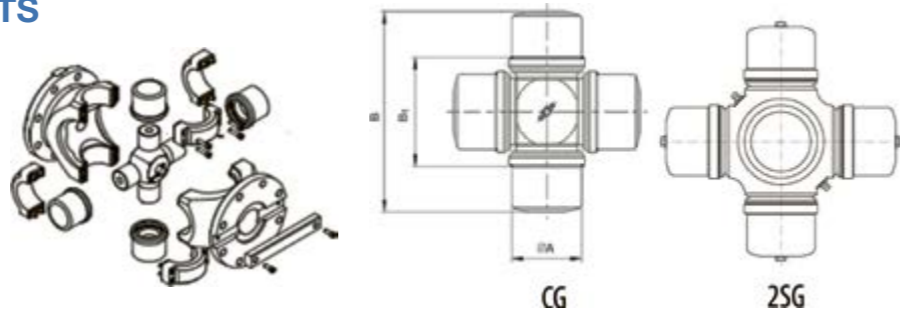
(Closed yoke design)
4 grease nipples on cups or 4 plug screws on bearing cups with 1 central grease nipple
4 circlip rings



ØA Cup diameter	B Length over both cups (without circlips, excluding accessories)	SICIT CODE	O.E.M. CODE	ULT U. Joint life torque capacity [Nm]	TFAT Reversing dynamic/fatigue torque [Nm]	FT Functional limit torque [Nm]
65,0	157,0	I050	S225.5/SA	6.620	15.000	39.000
65,0	172,0	I065	587.48 / 687.65 / BR 77 / 100	6.840	15.000	39.000
72,0	185,0	I100	587.50 / BR 80	8.000	19.000	49.400
74,0	217,0	I120	587.55 / BR 83	11.790	25.000	65.000
74,0	185,0	I130		11.540	25.000	65.000
74,0	195,0	I140	104 / 106	11.670	25.000	65.000
74,0	179,9	I150	225.9-208.9	11.520	25.000	65.000
74,0	171,0	I200	198.8	11.650	25.000	65.000
83,0	190,0	I210		11.930	25.000	65.000
83,0	195,0	I220	109	13.720	25.000	65.000
83,0	217,0	I230		13.960	25.000	65.000
83,0	220,0	I240	250.9 / 115	13.960	25.000	65.000
83,0	231,4	I260	587.60 / BR 84	14.890	25.800	67.080
83,0	179,9	I270	208.8	10.710	26.000	67.600
95,0	216,0	I330		18.010	35.000	91.000
95,0	219,0	I340	250.8	18.360	35.000	91.000
95,0	250,0	I360	285.9 / 120 / 124	21.940	36.000	93.600
110,0	245,0	I430		25.990	50.000	130.000
110,0	251,5	I440		26.940	50.000	130.000
110,0	243,5	I450	285.8	25.700	50.000	130.000
110,0	275,0	I460	315.9 / 135 / 140	30.380	74.800	194.480
130,0	266,5	I630	315.8	36.440	71.000	184.600
130,0	269,0	I640		36.740	71.000	184.600
130,0	302,0	I650	350.9 / 145	42.820	110.000	286.000
145,0	299,0	I660		48.910	100.000	260.000
145,0	294,3	I670	350.8	47.840	100.000	260.000
145,0	336,5	I680	390.9	57.130	160.000	416.000
145,0	342,0	I690		58.520	160.000	416.000

HEAVY DUTY UNIVERSAL JOINTS

(Split yoke design)
 4 grease nipples on cups or 4 plug screw on cups (unless cup Ø120-Ø130 + Ø65) with 1 central grease nipple (CG) or 2 side grease nipple (2SG)



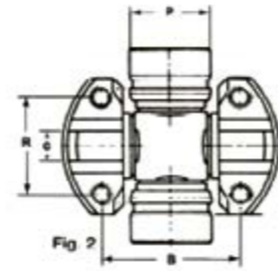
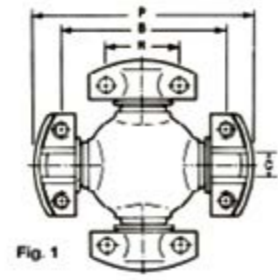
ØA Cup diameter	B1 Length from lip to lip	B Length over both cups (excl. accessories)	Lub.	SICIT CODE	O.E.M. CODE	ULT U. Joint life torque capacity [Nm]	TFAT Reversing dynamic/fatigue torque [Nm]	FT Functional limit torque [Nm]
65,0	143,0	220,0	CG	I065FL	190.50			
74,0	129,0	213,0	CG	I160FL	392.50 / 292.50			
74,0	154,0	238,0	CG	I180FL	190.55 / BR 82			
83,0	129,0	234,0	CG	I280FL	390.60	15.520	23.000	59.800
83,0	139,0	244,0	CG	I300FL	392.55 / 292.55 / BR 85	16.440	36.000	93.600
83,0	175,0	280,0	2SG	I320FL	190.60	19.760	17.000	44.200
95,0	139,0	261,0	CG	I380FL	390.65	23.050	36.000	93.600
95,0	160,0	282,0	CG	I400FL	392.60 / 292.60 / BR 90	26.060	53.000	137.800
95,0	190,0	312,0	2SG	I420FL	190.65	29.840	44.216	114.962
110,0	160,0	296,0	CG	I480FL	390.70	34.420	53.000	137.800
110,0	176,0	312,0	CG	I500FL	392.65 / 292.65 / BR 95	37.060	75.000	195.000
110,0	210,0	346,0	2SG	I520FL	190.70	42.670	75.000	195.000
120,0	235,0	377,0	2SG	I540FL	190.75	54.320	71.000	184.600
120,0	176,0	323,0	CG	I560FL	390.75	43.020	75.000	195.000
120,0	196,0	343,0	2SG	I580FL	392.70 / 292.70 / BR 97	47.460	102.000	265.200
130,0	196,0	362,0	CG	I600FL	390.80 / BR 98	62.380	102.000	265.200
130,0	216,0	377,0	CG	I620FL	393.75 / 292.75	66.040	116.000	301.600
130,0	262,0	423,0	CG	I700FL	190.80			
154,0	250,0	430,0	CG	I790FL	393.80	96.000	220.000	572.000

UNIVERSAL JOINTS
 VARIOUS APPLICATIONS AND AGRICULTURE

Versions with asterisk are available with one or more drilled bearing cups.

DIAM.	LENGHT	SICIT CODE	UNIVERSAL JOINT TYPE	FIG.
16,05	38,90	5310	LUBE FOR LIFE	1
19,00	48,00	4020	VARIOUS APPLICATIONS - SCANIA U131	3
22,00	54,00	5010	CENTRAL GREASE NIPPLE	3
22,00	58,00	5430	CENTRAL GREASE NIPPLE	3
22,00	58,90	5520	CENTRAL GREASE NIPPLE	3
23,82	61,30	1300	SIDE GREASE NIPPLE [REF.: ISUZU 8-94479-053-0, 8-97029-527-0, 94027724, 94479053, 9447908 OPEL 04303 328, 04310 882, 0456 010, 4303 328, 4310 882, 4317 849, 456 019, 94415225 SUZUKI 27200-85C00, 27200-85C00-000, 27200a83000, 27200b83010, 27200c83010 VAUXHALL 91109415, 94027724, 94415225, 94479053, 94479055, 97029527]	2
23,82	61,30	1320	LUBE FOR LIFE - TP. 124	1
24,00	63,10	1340	LUBE FOR LIFE - TP. GIULIA	1
24,00	74,60	4010	LUBE FOR LIFE	1
25,00	63,00	2563	PIAGGIO PORTER	
25,00	76,70	2576	1 DRILLED BEARING CUP - MB 000776 - GMB GUM-88	8
26,00	56,00	2656	SIDE GREASE NIPPLE - TOYOTA 04371-30011 - GMB GUT-12	12
27,00	70,00	4030	CENTRAL GREASE NIPPLE	3
27,00	81,70	5200	LUBE FOR LIFE	1
27,00	49,00	2749	LUBE FOR LIFE - NISSAN 37126-01G25 - GMB GUN-46	13
26,00	69,80	5240	VARIOUS APPLICATIONS	
27,00	80,00	2780	SIDE GREASE NIPPLE - HYUNDAI 49140-4A000	2
29,00	80,00	1240	CENTRAL GREASE NIPPLE	3
29,00	52,0	2952	CENTRAL GREASE NIPPLE - TOYOTA 04371-35020 - GMB GUT-21	4
30,00	81,80	1380	VARIOUS APPLICATIONS - MAN 81392006003	2
30,00	58,10	3058	CENTRAL GREASE NIPPLE - MB 000776 - GMB GUM-88	4
30,17	92,00	4050	VARIOUS APPLICATIONS	3
30,17	92,00	5180	4 SIDE DRILLED BEARING CUPS	3
31,78	102,00	3110	CENTRAL GREASE NIPPLE	3
32,00	86,00	5280	CENTRAL GREASE NIPPLE	3
32,00	95,60	5270	CENTRAL GREASE NIPPLE	3
32,00	106,30	1160	SUITABLE TO FIAT	2
32,00	60,20	3260	CENTRAL GREASE NIPPLE - MAZDA 0164-25-060 GMB GUMZ-3/4	4
32,00	64,00	3264	SIDE GREASE NIPPLE - TOYOTA 04371-36021 - GMB GUT-20	12
34,00	97,00	5170	VARIOUS APPLICATIONS	3
34,90	72,10	3472	CENTRAL GREASE NIPPLE	4

UNIVERSAL JOINTS MECHANICS
VARIOUS APPLICATIONS



SICIT CODE	TYPE	P	B	R	C	BRAKET	FIG.
10910	2C	79,30	59,50	33,34	9,50	4 LWD	1
10800	4C	108,00	87,30	36,52	9,50	4 HWD	1
10790	5C	115,06	88,90	42,88	14,26	4 HWD	1
10920	5C	115,06	88,90	42,88	14,26	4 LWT	1
10930	5C	115,06	88,90	42,88	14,26	2 HWD 2LWT	1
10570	6C	140,45	114,30	42,88	14,26	4 HWD	1
10940	6C	140,45	114,30	42,88	14,26	2 HWD 2LWT	1
10580	7C	148,40	117,50	49,20	15,85	4 HWD	1
10950	8C	206,30	174,60	49,20	15,80	4 HWD	1
10840	8,5C	165,00	123,80	71,44	15,85	4 HWD	1
10880	8,5C	165,00	123,80	71,44	15,85	4 LWD	1
10890	9C	209,62	168,28	71,44	15,85	4 HWD	1
10900	10C	212,7	165,1	92,1	25,35	4 HWD	1
10960	12C	288,9	241,3	92,1	25,35	4 HWD	1
3000	SM500	33,30	88,90	42,90	14,20	2 HWD 2 INTERNAL CIRCLIPS CUPS	2

LUBE FOR CUPS

DIAM.	LENGHT	SICIT CODE	DESCRIPTION	OEM-OTHERS REFERENCES	FIG.
23,82	61,30	1300/1FOR	SIDE GREASE NIPPLE		
27,00	74,60	1180/1FOR	SIDE GREASE NIPPLE-AVAILABLE WITH ONE BEARING CUPS	FIAT 1400/615-U110-1300	8
27,00	74,60	1180/4FOR	SIDE GREASE NIPPLE-AVAILABLE WITH FOUR BEARING CUPS	FIAT 1400/615-U110-1301	
27,00	74,50	1270/1FOR	AVAILABLE WITH ONE DRILLED BEARING CUPS	FIAT-IVECO DAILY-GWB 687.15	8
27,00	81,75	1360/1FOR	AVAILABLE WITH ONE DRILLED BEARING CUPS	FIAT-SAE 13.10-ROBER	8
27,00	80,00	1360MOD/1FOR	SIDE GREASE NIPPLE-AVAILABLE WITH ONE DRILLED BEARING CUPS	HYUNDAI-GMB	8
27,00	81,70	1370/1FOR		IVECO GRINTA/DAILY	8
27,00	74,50	20150/1FOR	COMPACT 2015-AVAILABLE WITH ONE DRILLED BEARING CUPS	UCNR 18387	8
27,00	74,50	20150/2FOR	COMPACT 2015-AVAILABLE WITH TWO DRILLED BEARING CUPS	UCNR 18387	8
30,00	81,80	1380/1FOR	VARIOUS APPLICATIONS-AVAILABLE WITH ONE DRILLED BEARING CUPS		8
30,00	81,80	2200/1FOR	AVAILABLE WITH ONE DRILLED BEARING CUPS	GWB 287.10	8
30,00	81,80	2200/2FOR	AVAILABLE WITH TWO DRILLED BEARING CUPS	GWB 287.10	8
30,00	81,80	2200/4FOR	AVAILABLE WITH FOUR DRILLED BEARING CUPS	GWB 287.10	
30,00	82,40	2210/1FOR	VARIOUS APPLICATIONS AVAILABLE WITH ONE DRILLED BEARING CUPS		8
30,00	82,40	2210/2FOR	VARIOUS APPLICATIONS AVAILABLE WITH TWO OR MORE DRILLED BEARING CUPS		8
30,00	82,40	2210/4FOR	VARIOUS APPLICATIONS AVAILABLE WITH FOUR DRILLED BEARING CUPS		8
30,00	83,00	5420/1FOR	AVAILABLE WITH ONE DRILLED BEARING CUPS	ELBE	8
30,00	83,00	5420/2FOR	AVAILABLE WITH TWO DRILLED BEARING CUPS	ELBE	8
30,17	106,30	2300/1FOR	AVAILABLE WITH ONE DRILLED BEARING	IVECO-U 200	8
30,17	92,00	5180/2FOR	2 SIDE DRILLED BEARING CUPS-AVAILABLE WITH TWO DRILLED BEARING	0,00	
30,18	81,80	20200/1FOR	COMPACT 2020-AVAILABLE WITH ONE DRILLED BEARING CUPS	UCNR 17450	8
30,20	106,30	1280/1FOR		IVECO 79.10-VOLVO F82-F420-GKN 1410	8

LUBE FOR CUPS

DIAM.	LENGHT	SICIT CODE	DESCRIPTION	OEM-OTHERS REFERENCES	FIG.
30,20	81,80/82	1500/1FOR	CENTRAL GREASE NIPPLE-AVAILABLE WITH ONE DRILLED BEARING CUPS	GWB 687.20-MB 6204100131	3
30,20	81,80/82	1500/2FOR	CENTRAL GREASE NIPPLE-AVAILABLE WITH TWO DRILLED BEARING CUPS	GWB 687.20-MB 6204100131	3
30,20	92,00	4090/1FOR	SIDE GREASE NIPPLE-AVAILABLE WITH ONE DRILLED BEARING CUPS	40.10W VAN(4X4)-U220-1350	2
31,00	88,20	ST2240/4FOR	STAKED - 4 GREASE NIPPLE ON CUP	U 325-17173	8/11
34,92	106,40	2880/1FOR	AVAILABLE WITH ONE DRILLED BEARING CUPS	IVECO EUROCARGO-GWB 687.30-U 917	3
34,92	106,40	2880/4FOR	AVAILABLE WITH FOR DRILLED BEARING CUPS	IVECO EUROCARGO-GWB 687.30-U 917	3
34,92	92,20	2890/2FOR	AVAILABLE WITH TWO DRILLED BEARING CUPS	IVECO-GWB 687.25	3
35,00	96,80	2220/1FOR	AVAILABLE WITH ONE DRILLED BEARING CUPS	MAGIRUS-GWB 587.10-287.20	3
35,00	96,80	2220/2FOR	AVAILABLE WITH TWO DRILLED BEARING CUPS	MAGIRUS-GWB 587.10-287.21	4
35,00	96,80	2220/4FOR	AVAILABLE WITH FOR DRILLED BEARING CUPS	MAGIRUS-GWB 587.10-287.20	3
38,00	105,80	1910/2FOR	AVAILABLE ALSO WITH SKF BEARING CUP-AVAILABLE WITH TWO DRILLED BEARING CUPS	MAN 81392006005-DAF 1800DT4X4-GWB 387.20	3
38,00	110,00	1920/1FOR	CENTRAL GREASE NIPPLE-AVAILABLE ALSO WITH SKF BEARING CUP- AVAILABLE WITH ONE DRILLED BEARING CUPS	IVECO 93192007-UNIMOG-MAN L2000-U365	3
42,00	117,50	2050/2FOR	CENTRAL GREASE NIPPLE OR ON CUP-AVAILABLE WITH FOR DRILLED BEARING CUPS	ELBE	3
42,00	117,50	2050/4FOR	CENTRAL GREASE NIPPLE OR ON CUP-AVAILABLE WITH TWO DRILLED BEARING CUPS	ELBE	3
42,00	104,50	2380/4for	AVAILABLE ALSO WITH SKF BEARING CUP-AVAILABLE WITH FOR DRILLED BEARING CUPS	IVECO 330-GWB 587.15	3
42,00	119,40	2680/4FOR	AVAILABLE ALSO WITH SKF BEARING CUP-AVAILABLE WITH FOR DRILLED BEARING CUPS	IVECO/EUROCARGO-VOLVO-GWB 687.35-2035-GWB 687.35-20358	3
42,00	123,00	2690/1FOR	AVAILABLE ALSO WITH SKF BEARING CUP-AVAILABLE WITH ONE DRILLED BEARING CUPS	0,00	3
47,68	135,20	2660/1FOR	COMPACT 2040-AVAILABLE WITH ONE DRILLED BEARING CUPS	IVECO-EUROCARGO-GWB 687.40-U965-MAN 81.39108-6050	3
47,68	135,20	2660/2FOR	COMPACT 2040-AVAILABLE WITH TWO DRILLED BEARING CUPS	IVECO-EUROCARGO-GWB 687.40-U965-MAN 81.39108-6050	3
47,68	135,20	2660/4FOR	COMPACT 2040-AVAILABLE WITH FOR DRILLED BEARING CUPS	IVECO-EUROCARGO-GWB 687.40-U965-MAN 81.39108-6050	3
48,00	116,50	1760/4FOR	AVAILABLE ALSO WITH SKF BEARING CUP-AVAILABLE WITH FOR DRILLED BEARING CUPS	IVECO 330-190-260/FIAT BUS 470/GWB 587.20-U767	3
48,00	126,00	2320/1FOR	AVAILABLE ALSO WITH SKF BEARING CUP-AVAILABLE WITH ONE DRILLED BEARING CUPS	MERCEDES 3814100231-U765	3

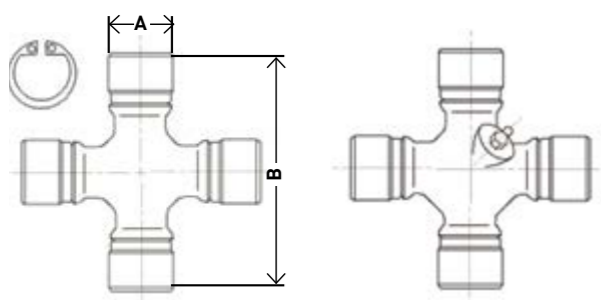
LUBE FOR CUPS

DIAM.	LENGHT	SICIT CODE	DESCRIPTION	OEM-OTHERS REFERENCES	FIG.
48,00	126,00	2320/2FOR	AVAILABLE ALSO WITH SKF BEARING CUP-AVAILABLE WITH TWO DRILLED BEARING CUPS	MERCEDES 3814100231-U765	8
48,00	126,00	2320/4FOR	AVAILABLE ALSO WITH SKF BEARING CUP-AVAILABLE WITH FOR DRILLED BEARING CUPS	MERCEDES 3814100231-U765	8
48,00	126,00	2600/1FOR	AVAILABLE ALSO WITH SKF BEARING CUP-AVAILABLE WITH ONE DRILLED BEARING CUPS	MERCEDES 3814100231-U765	8
48,00	126,00	2600/4FOR	AVAILABLE ALSO WITH SKF BEARING CUP-AVAILABLE WITH FOR DRILLED BEARING CUPS	MERCEDES 3814100231-U766	8
52,00	133,00	1560/2FOR	AVAILABLE ALSO WITH SKF BEARING CUP-AVAILABLE WITH TWO DRILLED BEARING CUPS	IVECO-MERCEDES 3314100031 1681,1620,1622,1624-GWB 587.30-U756	8
52,00	133,00	1560/4FOR	AVAILABLE ALSO WITH SKF BEARING CUP-AVAILABLE WITH FOR DRILLED BEARING CUPS	IVECO-MERCEDES 3314100031 1681,1620,1622,1624-GWB 587.30-U756	8
52,00	147,20	2700/2FOR	AVAILABLE ALSO WITH SKF BEARING CUP-AVAILABLE WITH TWO DRILLED BEARING CUPS	IVECO-EUROTHEC-GWB 687.45-COMPACT 2045-U909	8
52,00	147,20	2700/4FOR	AVAILABLE ALSO WITH SKF BEARING CUP-AVAILABLE WITH FOR DRILLED BEARING CUPS	IVECO-EUROTHEC-GWB 687.45-COMPACT 2045-U909	8
53,00	135,00	1600/1FOR	AVAILABLE ALSO WITH SKF BEARING CUP-AVAILABLE WITH ONE DRILLED BEARING CUPS	MERCEDES 6204100131/ 389/286.37-U993-U547	8
53,00	135,00	1600/4FOR	AVAILABLE ALSO WITH SKF BEARING CUP-AVAILABLE WITH FOR DRILLED BEARING CUPS	MERCEDES 6204100131/ 389/286.37-U993-U547	8
57,00	152,00	1620/4FOR	AVAILABLE ALSO WITH SKF BEARING CUP-AVAILABLE WITH FOR DRILLED BEARING CUPS	MERCEDES-MAN 3874100031-1924,1524,1525-GWB 587.42	8
57,00	152,00	1630/2FOR	GREASE NIPPLE ON CUP-AVAILABLE WITH TWO DRILLED BEARING CUPS	MERCEDES-GWB 587.42	8
57,00	152,00	1630/4FOR	GREASE NIPPLE ON CUP-AVAILABLE WITH FOR DRILLED BEARING CUPS	MERCEDES-GWB 587.42	8
57,00	144,00	1720/4FOR	AVAILABLE ALSO WITH SKF BEARING CUP-AVAILABLE WITH FOR DRILLED BEARING CUPS	IVECO 190-330-GWB 587.35/36-U813	8
65,00	172,00	2180/1FOR	AVAILABLE ALSO WITH SKF BEARING CUP	IVECO TURBOSTAR STRALIS-GWB 587.48,687.65-2065DAF-MB 6454100131	8
65,00	172,00	2180/2FOR	AVAILABLE ALSO WITH SKF BEARING CUP	IVECO TURBOSTAR STRALIS-GWB 587.48,687.65-2065DAF-MB 6454100131	8
65,00	172,00	2180/4FOR	AVAILABLE ALSO WITH SKF BEARING CUP	IVECO TURBOSTAR STRALIS-GWB 587.48,687.65-2065DAF-MB 6454100131	8
65,00	172,00	1065/4FOR	AVAILABLE WITH FOR DRILLED BEARING CUPS	587.48 / 687.65 / BR 77 / 100	
130,00	196,00	1600FL/4FOR	AVAILABLE WITH FOR DRILLED BEARING CUPS	390.80 / BR 98	8
130,00	216,00	1620FL/4FOR	AVAILABLE WITH FOR DRILLED BEARING CUPS	393.75 / 292.75	8
154,00	250,00	1790FL/4FOR	AVAILABLE WITH FOR DRILLED BEARING CUPS	393.80	8

Single Component

X. 078 SERIES | 23,8x61,3

UNIVERSAL JOINT



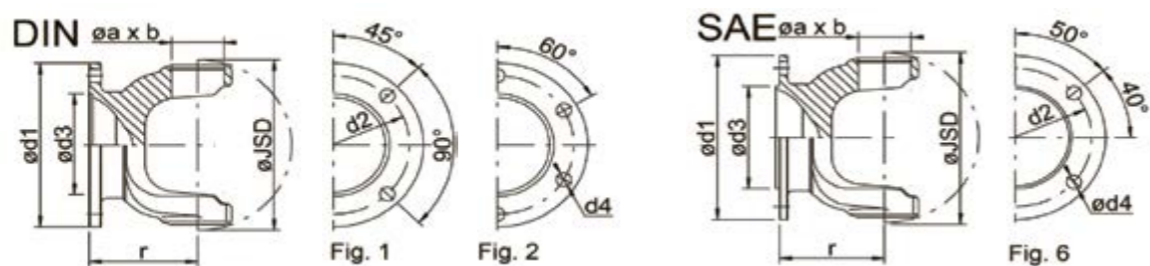
SICIT PART NUMBER	1300
DIAMETER [D]	23,8
LENGHT [L]	61,3
LUBRIFICATION	Side with grease nipple
REFERENCE	SPICER 1100 GKN U050 ISUZU 8-94479-053-0, 8-97029-527-0, 94027724, 94479053, 944790 OPEL 04303 328, 04310 882, 0456 010, 4303 328, 4310 882, 4317 849, 456 019, 94415225 SUZUKI 27200-85C00, 27200-85C00-000, 27200a83000, 27200b83010, 27200C83010 VAUXHALL 91109415, 94027724, 94415225, 94479053, 94479055, 97029527

ENGINEERING DATA



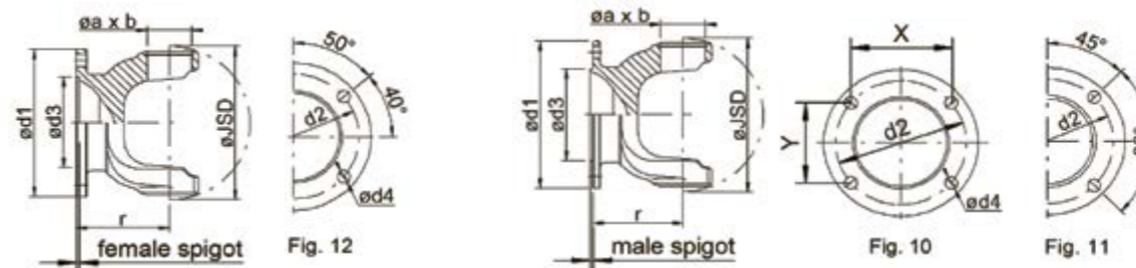
TMAX	[maximum static torque capacity, based on material strength]	Nm	600
TFAT	[reversing, dynamic torque capacity, based on material strength]	Nm	300
ULT	[U.-Joint life torque capacity, based on the bearing data]	Nm	220
JSD	[over all swing diameter across the U.-Joint]	mm	78
β	[standard deflection angle, which may vary depending on design]	deg	20
TUBE		from	50,8
		to	76,2
LC MAX	[Maximum compressed length]	mm	260
Ls max	Ls max [Maximum length compensation]	mm	43

FLANGE YOKES



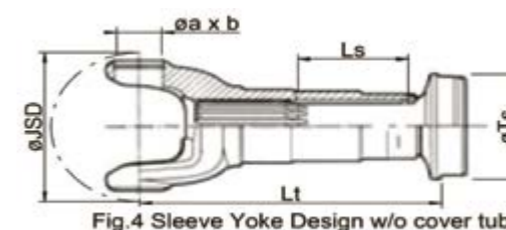
PART NUMBER	DESCRIPTION	Fig.	JSD	d1	d2	d3	n x d4	r	βmax	REFERENCE
FY.078.00.105-39	DIN 75/6-6 r39 25° spigot Ø 42	2	78	75	62	42	6 x 6,2	39	25°	
FY.078.00.106-40	DIN 90/4-8 r40 25° spigot Ø 47	1	78	90	74,5	47	4 x 8,2	40	25°	
FY.078.00.107-40	DIN 90/6-9 r40 25° spigot Ø 47	2	78	90	74,5	47	6 x 9,2	40	25°	
FY.078.00.201-30	SAE 88/4-8,2 r30 17° spigot Ø 57	6	78	88	69,9	57,1	4 x 8,2	30	17°	

LIGHT COMMERCIAL VEHICLE



PART NUMBER	DESCRIPTION	Fig.	JSD	d1	d2	X x Y	d3	n x d4	r	βmax	REFERENCE
FY.078.00.907-40,1	SPL 92/4-8/57,1	12	78	92	77,8		57,1	4 x 8,2	40,1	25°	
FY.078.00.926-40,6	SPL 109/4-10,4/56	10	78	109,5	90,91	67,03 x 60,03	56	4 x 10,4	40,6	20°	Ford - 1402-1379
FY.078.00.986-40,1	SPL 92/4-9,8/57,1	11	78	92	76,2		57,1	4 x 9,8	40,1	20°	
FY.078.00.988-40,1	SPL 92/4-10,2/60,3	12	78	92	74		60,3	4 x 10,2	40,1	25°	
FY.078.00.994-39,6	SPL 115/4-10,8/65	11	78	115	95		65	4 x 10,8	39,6	25°	Dacia Duster

SLIP YOKE ASSY



PART NUMBER	DESCRIPTION	Fig.	JSD	Lt	Ls	βmax	Ø Ts	Spline	REFERENCE
SY.078.00.41.40-127/50,8x1,6	127/40 50,8x1,6 20° SAE 27 x 16C	4	78	127	40	17°	50,8x1,6	SAE 27 x 16C	
SY.078.00.41.40-127/50,8x2,4	127/40 50,8x2,4 20° SAE 27 x 16C	4	78	127	40	17°	50,8x2,4	SAE 27 x 16C	
SY.078.00.41.40-132/70x1,6	132/40 70x1,6 20° SAE 27 x 16C	4	78	132	40	17°	70x1,6	SAE 27 x 16C	
SY.078.00.41.40-127/63,5x1,6	127/40 63,5x1,6 20° SAE 27 x 16C	4	78	127	40	17°	63,5x1,6	SAE 27 x 16C	

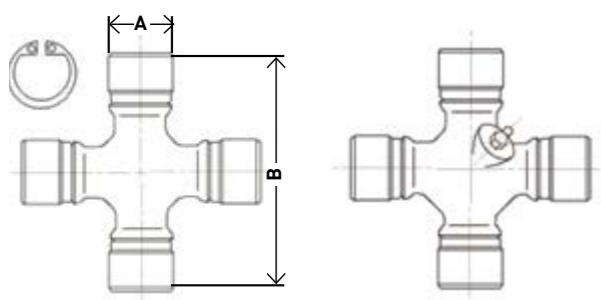
TUBE YOKE

PART NUMBER	Fig.	JSD	Lt	βmax	Ø Ts	REFERENCE
TY.078.00.33,5/69,9x1,6	1	78	33,5	17°	69,9x1,6	1426-137
TY.078.00.36,5/76,2x1,6	1	78	36,5	17°	76,2x1,6	1426-717
TY.078.00.35/63,5x1,6	1	78	35	17°	63,5x1,6	1426-017
TY.078.00.35/50,8x1,6	1	78	35	17°	50,8x1,6	1426-017
TY.078.00.35/50,8x2,4	1	78	35	17°	50,8x2,4	1426-027



X. 090A SERIES | 27X74,6

UNIVERSAL JOINT



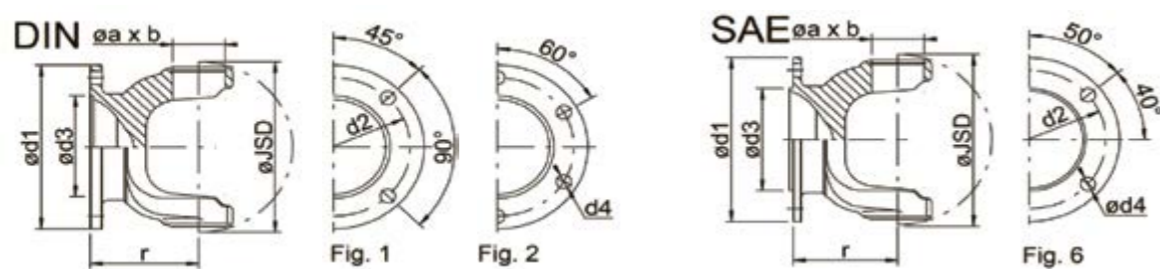
SICIT PART NUMBER	1180
DIAMETER [D]	27
LENGTH [L]	74,6
LUBRIFICATION	Side with grease nipple
REFERENCE	GWB 687.15 SPICER 1300 GKN U110 LAND ROVER RTC 3458, RTC 4587, TVC 100010 SUZUKI 27200-86CT0 IVECO 42541372, 42546333, 967265, 943541019, 42532985, 42535109, 42541371

ENGINEERING DATA



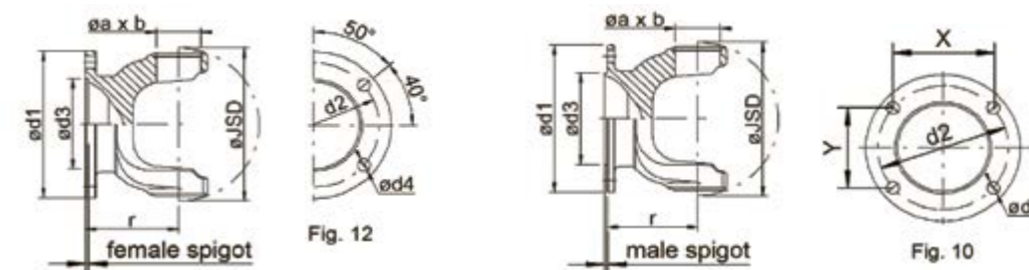
TMAX	[maximum static torque capacity, based on material strength]	Nm	1350
TFAT	[reversing, dynamic torque capacity, based on material strength]	Nm	900
ULT	[U.-Joint life torque capacity, based on the bearing data]	Nm	450
JSD	[over all swing diameter across the U.-Joint]	mm	90
β	[standard deflection angle, which may vary depending on design]	deg	20
TUBE		from	50
		to	76,2
LC MAX	[Maximum compressed length]	mm	270
Ls max	Ls max [Maximum length compensation]	mm	60

FLANGE YOKES



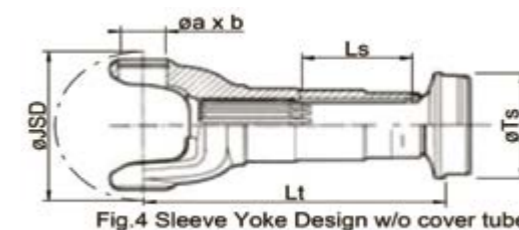
PART NUMBER	DESCRIPTION	Fig.	JSD	d1	d2	d3	n x d4	r	βmax	REFERENCE
FY.090A.00.106-40,5	DIN 90/4-8 r40 25° spigot Ø 47	1	90	90	74,5	47	4 x 8,2	40	25°	
FY.090A.00.112-35	DIN 120/8-8 r35 20° spigot Ø 75	2	90	120	101,5	75	8 x 8	35	20°	
FY.090A.00.203-35	SAE 97/4-10 r35 20° spigot Ø 60,3	6	90	97	79,4	60,3	4 x 10,2	35	20°	LEYLAND DAF VANS

LIGHT COMMERCIAL VEHICLE



PART NUMBER	DESCRIPTION	Fig.	JSD	d1	d2	X x Y	d3	n x d4	r	βmax	REFERENCE
FY.090A.00.905-40,5	SPL 92/4-8,17/57,15	10	90	92	77,8		57,1	4 x 8,2	40,5	20°	
FY.090A.00.926-40,6	SPL 109/4-10,4/56	10	90	109,5	-	67,03 x 60,03	56	4 x 10,2	40,6	20°	Ford
FY.090A.00.926-42,5	SPL 109/4-10,4/56	10	90	109	-	67,03 x 60,03	56	4 x 10,2	42,5	20°	
FY.090A.00.927-43	SPL 120/4-12,5/40	10	90	120		83,20 x 48	40	4 x 12,2	43	22°	Ford
FY.090A.00.928-43	SPL 120/4-12,25/56	10	90	120		83,20 x 48	56	4 x 12,2	43	22°	Ford

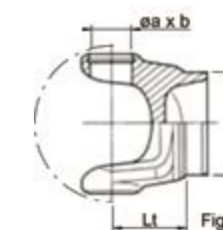
SLIP YOKE ASSY



PART NUMBER	DESCRIPTION	Fig.	JSD	Lt	Ls	βmax	Ø Ts	Spline	REFERENCE
SY.090A.00.41.60-170/50,8x2,4	170/60 50,8x2,4 20° SAE 38,1 x 16C	4	90	170	60	20°	50,8x2,4	SAE 38,1 x 16C	
SY.090A.00.41.60-170/50,8x1,6	170/60 50,8x2,4 20° SAE 38,1 x 16C	4	90	170	60	20°	50,8x1,6	SAE 38,1 x 16C	
SY.090A.00.41.57-177/76,2x1,6	177/57 76,2x1,6 20° SAE 38,1 x 16C	4	90	177	57	20°	76,2x1,6	SAE 38,1 x 16C	
SY.090A.00.41.57-177/76,2x2,1	177/57 76,2x2,1 20° SAE 38,1 x 16C	4	90	177	57	20°	76,2x2,1	SAE 38,1 x 16C	
SY.090A.00.41.55-156/63,5x1,6	156/55 63,5x1,6 17° SAE 34,9 x 16C	4	90	156	55	17°	63,5x1,6	SAE 34,9 x 16C	

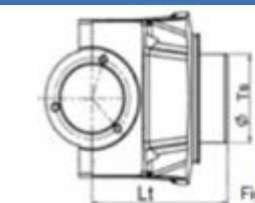
TUBE YOKE

PART NUMBER	Fig.	JSD	Lt	βmax	Ø Ts	REFERENCE
TY.090A.00.44,5/50,8x2,4	1	90	44,5	20°	50,8x2,4	
TY.090A.00.44,5/50,8x1,6	1	90	44,5	20°	50,8x1,6	
TY.090A.00.44,5/76,2x1,6	1	90	44,5	20°	76,2x1,6	
TY.090A.00.44,5/76,2x2,1	1	90	44,5	20°	76,2x2,1	
TY.090A.00.44,5/69,9x1,6	1	90	44,5	20°	69,9x1,6	
TY.090A.00.44,5/63,5x1,6	1	90	44,5	20°	63,5x1,6	
TY.090A.00.44,5/64x2	1	90	44,5	20°	64x2	



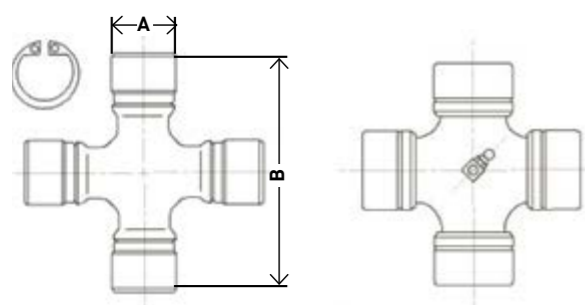
END YOKE

PART NUMBER	Fig.	JSD	Lt	βmax	Ø Ts	REFERENCE
EY.090A.00.80	A				80	



X. 100 SERIES | 30,18X81,8

UNIVERSAL JOINT



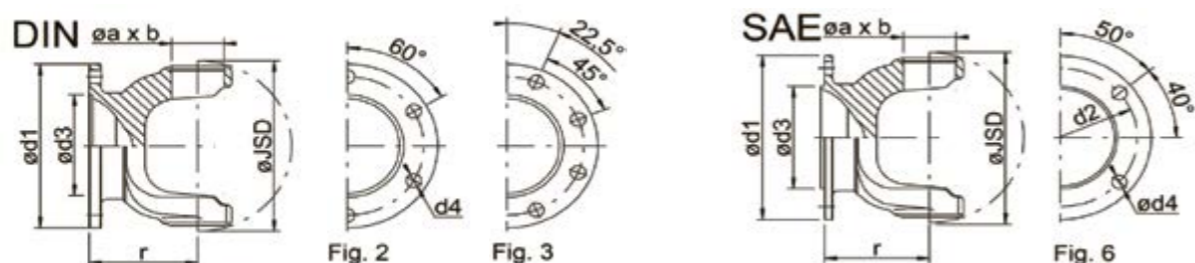
SICIT PART NUMBER	1500
DIAMETER [D]	30,18
LENGTH [L]	81,8
LUBRIFICATION	Central with grease nipple
REFERENCE	GWB 687.20 GKN U321 IVECO 42541373, 42546332, 42530886, 42532286, 42535251, 42541367 RENAULT TRUCKS 5000806121, 5001860801

ENGINEERING DATA



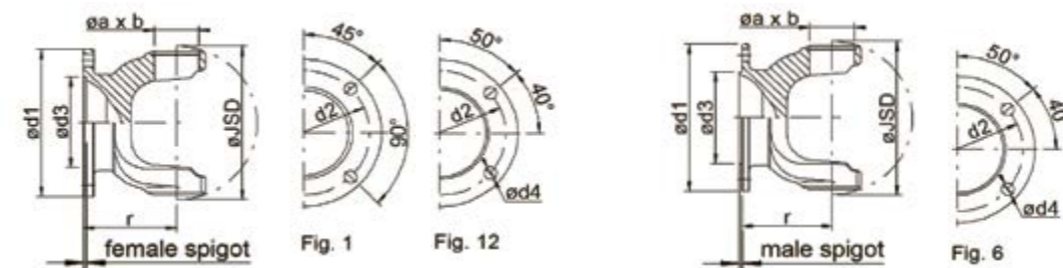
TMAX	[maximum static torque capacity, based on material strength]	Nm	2000
TFAT	[reversing, dynamic torque capacity, based on material strength]	Nm	1000
ULT	[U.-Joint life torque capacity, based on the bearing data]	Nm	660
JSD	[over all swing diameter across the U.-Joint]	mm	100
β	[standard deflection angle, which may vary depending on design]	deg	22
TUBE		from	50
		to	76,2
LC MAX	[Maximum compressed length]	mm	490
Ls max	Ls max [Maximum length compensation]	mm	120

FLANGE YOKES



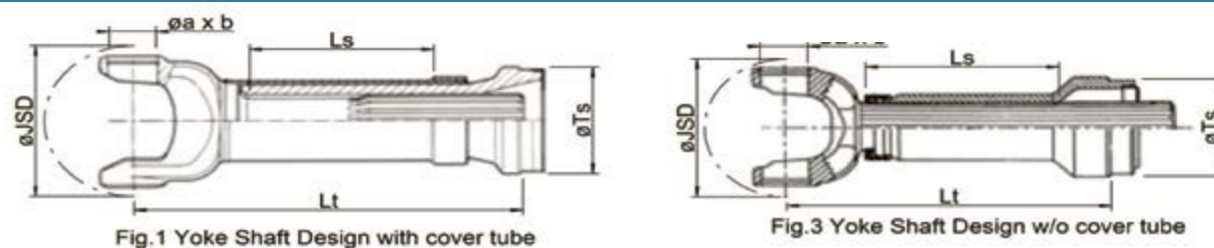
PART NUMBER	DESCRIPTION	Fig.	JSD	d1	d2	d3	n x d4	r	βmax	REFERENCE
FY.100.00.109-58	DIN 100/6-8 r58 35° spigot Ø 57	2	100	100	84	57	6 x 8,2	58	35°	
FY.100.00.109-54	DIN 100/6-8 r58 35° spigot Ø 57	2	100	100	84	57	7 x 8,2	54	36°	
FY.100.00.112-54	DIN 120/8-8 r58 35° spigot Ø 75	3	100	120	101,5	75	8 x 8,2	54	35°	
FY.100.00.112-58	DIN 120/8-8 r58 35° spigot Ø 75	3	100	120	101,5	75	8 x 8,2	58	35°	
FY.100.00.113-54	DIN 120/8-10 r54 30° spigot Ø 75	3	100	120	101,5	75	8 x 10,2	54	30°	
FY.100.00.205-40	SAE 115,9/4-11 r40 25° spigot Ø 69,8	6	100	115,9	95,3	69,85	4 x 11,2	40	25°	
FY.100.00.206-40	SAE 115,9/4-12 r40 25° spigot Ø 69,8	6	100	115,9	95,3	69,85	4 x 12,2	40	25°	
FY.100.00.206-53	SAE 115,9/4-12 r53 30° spigot Ø 69,8	6	100	115,9	95,3	69,85	4 x 12,2	53	30°	

LIGHT COMMERCIAL VEHICLE



PART NUMBER	DESCRIPTION	Fig.	JSD	d1	d2	X x Y	d3	n x d4	r	βmax	REFERENCE
FY.100.00.931-54	SPL 120/4-12,25/57	1	100	120	101,5	71 x 71	57	4 x 10,2	54	25°	SPRINTER
FY.100.00.987-40	SPL 114/4-10,3/60	6	100	114	90		60	4 x 10,3	40	25°	
FY.100.00.989-58	SPL 100/4-10,2/60,3	6	100	100	79,4		60,3	4 x 10,2	58	35°	
FY.100.00.996-44,6	SPL 132/4-10,2/67	12	100	132	112	85,5 x 72	67	4 x 10,2	44,6	25°	NEW SPRINTER

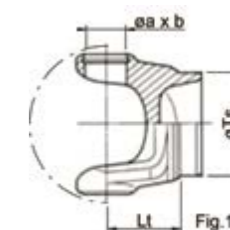
SLIP YOKE ASSY



PART NUMBER	DESCRIPTION	Fig.	JSD	Lt	Ls	βmax	Ø Ts	Spline	REFERENCE
SY.100.00.110-217/50X3	217/110 50x3 25° 45X1,5X28 DIN5480	3	100	217	110	25°	50x3	30X2X18	DIN5480
SY.100.00.90-221/76.2X2.4	221/90 76,2x2,4 25° 45X1,5X28 DIN5480	3	100	221	90	25°	76,2x2,4	38X2X18	DIN5480

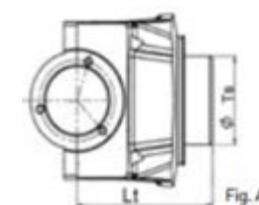
TUBE YOKE

PART NUMBER	Fig.	JSD	Lt	βmax	Ø Ts	REFERENCE
TY.100.00.-45,0/76,2x1,6	1	100	45	25°	76,2X1,6	
TY.100.00.-45,0/76,2x2,4	1	100	45	25°	76,2X2,4	
TY.100.00.-55,0/50x3	1	100	55	25°	50X3	
TY.100.00.-56,0/70x2,4	1	100	56	25°	70X2,4	
TY.100.00.-72,5/70x2	1	100	72,5	25°	70X2	
TY.100.00.-72,5/76,2x2,4	1	100	72,5	25°	76,2X2,4	
TY.100.00.-53/76,2x2,4	1	100	53	25°	76,2X2,4	
TY.100.00.-48/60x3	1	100	48	25°	60X3	
TY.100.00.-47/63,5X2,41	1	100	47	25	63,5X2,4	
TY.100.00.-54/76,2X2,5	1	100	54	25	76,2X2,5	



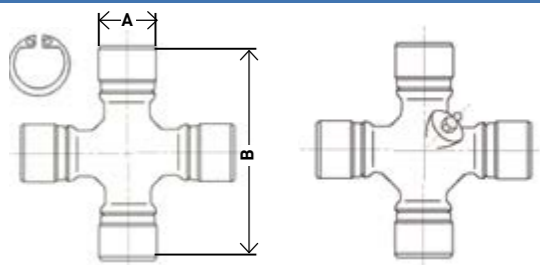
END YOKE

PART NUMBER	Fig.	JSD	Lt	βmax	Ø Ts	REFERENCE
EY.100.00.80	A				80	



X. 100A SERIES | 27X81,7

UNIVERSAL JOINT



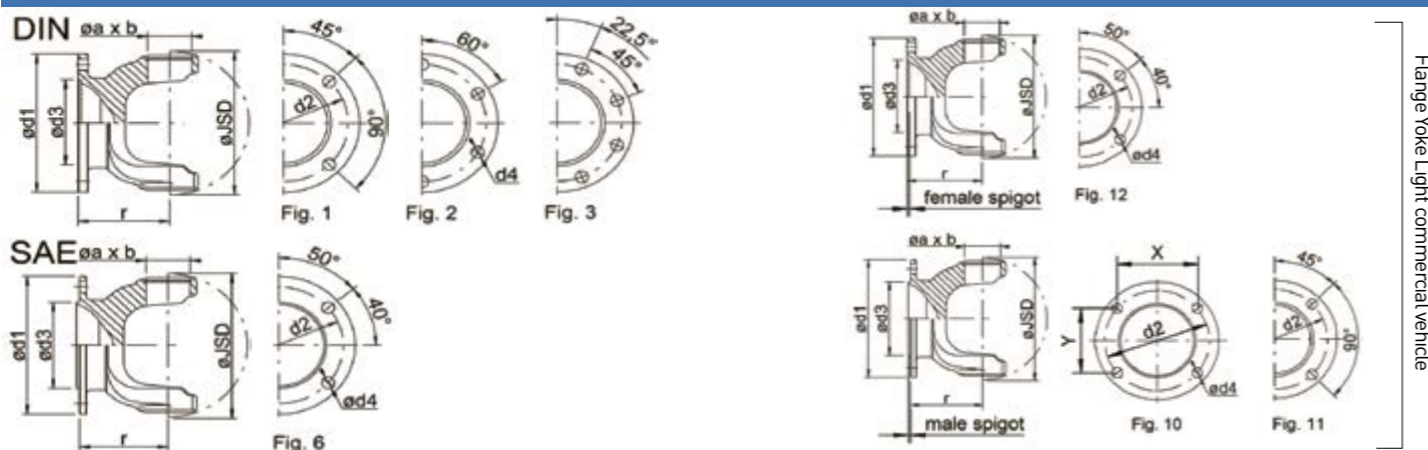
SICIT PART NUMBER	1360
DIAMETER [D]	27
LENGTH [L]	81,7
LUBRIFICATION	Side with grease nipple
REFERENCE	SPICER 1310 GKN U100 DAEWOO 3311501000 SSANGYONG 3311501000 IVECO 5001014054 RENAULT 5000265260

ENGINEERING DATA



TMAX	[maximum static torque capacity, based on material strength]	Nm	2000
TFAT	[reversing, dynamic torque capacity, based on material strength]	Nm	1000
ULT	[U.-Joint life torque capacity, based on the bearing data]	Nm	660
JSD	[over all swing diameter across the U.-Joint]	mm	100
β	[standard deflection angle, which may vary depending on design]	deg	22
TUBE		from	50
		to	76,2
LC MAX	[Maximum compressed length]	mm	490
Ls max	Ls max [Maximum length compensation]	mm	120

FLANGE YOKES



PART NUMBER	DESCRIPTION	Fig.	JSD	d1	d2	d3	n x d4	r	βmax	REFERENCE
FY.100A.00.106-50	DIN 90/4-8 r50 30° spigot Ø 47	1	100	90	74,5	47	4 x 8,2	50	30°	
FY.100A.00.107-50	DIN 90/6-8 r50 30° spigot Ø 47	2	100	90	74,5	47	6 x 8,2	50	30°	
FY.100A.000-53	DIN 100/*-r53 30° spigot Ø 57	-	100	100	-	57	-	53	30°	
FY.100A.108-50	DIN 90/6-10 r50 30° spigot Ø 47	2	100	90	74,5	47	6 x 10,2	50	30°	
FY.100A.00.109-53	DIN 100/6-8 r53 30° spigot Ø 57	2	100	100	84	57	6 x 8,2	53	30°	
FY.100A.00.113-52	DIN 120/8-10 r52 30° spigot Ø 75	3	100	120	101,5	75	8 x 10,2	52	30°	
FY.100A.00.202-41,4	SAE 96,8/4-9,8 r41 30° spigot Ø 60,3	6	100	96,8	79,4	60,3	4 x 9,8	41	30°	
FY.100A.00.202-57	SAE 96,8/4-9,6 r57 30° spigot Ø 60,3	6	100	96,8	79,4	60,3	4x9,6	57	30°	
FY.100A.00.203-35	SAE 96,8/4-10,2 r35 20° spigot Ø 60,3	6	100	96,8	79,4	60,3	4 x 102	35	20°	
FY.100A.00.204-41,4	SAE 96,8/4-10,2 r41 30° spigot Ø 60,3	6	100	96,8	79,4	60,3	4 x 10,25	41	30°	
FY.100A.00.205-35	SAE 115,9/4-11,2 r35 20° spigot Ø 69,9	6	100	115,9	95,3	69,9	4 x 11,1	35	20°	
FY.100A.00.206-35	SAE 115,9/4-12,2 r35 20° spigot Ø 69,9	6	100	115,9	95,3	69,9	4 x 12	35	20°	

LIGHT COMMERCIAL VEHICLE

PART NUMBER	DESCRIPTION	Fig.	JSD	d1	d2	X x Y	d3	n x d4	r	βmax	REFERENCE
FY.100A.00.986-35	SPL 92/4-9,8/57,1	11	100	92	76,2		57,1	4 x 9,8	35	20°	

SLIP YOKE ASSY

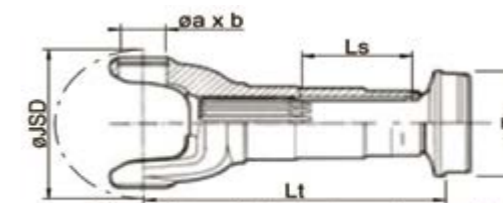
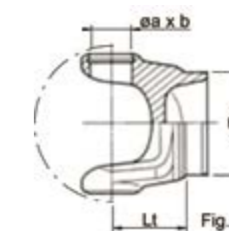


Fig.4 Sleeve Yoke Design w/o cover tube

PART NUMBER	DESCRIPTION	Fig.	JSD	Lt	Ls	βmax	Ø Ts	Spline	REFERENCE
SY.100A.00.41.55-155/63,5x1,6	155/55 63,5x1,6 20° SAE34,9X16C	4	100	155	55	20°	63,5x1,6	SAE 34,9 x 16C	
SY.100A.00.41.55-155/50,8x2,4	155/50 50,8x2,4 20° SAE34,9X16C	4	100	155	50	20°	50,8x2,4	SAE 34,9 x 16C	
SY.100A.00.41.55-155/70x1,6	155/55 70x1,6 20° SAE34,9X16C	4	100	155	55	20°	70x1,6	SAE 34,9 x 16C	
SY.100A.00.41.55-155/76,2x1,6	155/55 76,2x1,6 20° SAE34,9X16C	4	100	155	55	20°	76,2x1,6	SAE 34,9 x 16C	
SY.100A.00.41.75-182/50,8x2,4	182/75 50,8x2,4 25° SAE 34,9 X 16C	4	100	182	75	25°	50,8x2,4	SAE 34,9 x 16C	
SY.100A.00.41.70-182/76,2x2,4	187/70 76,2x2,4 30° SAE34,9X16C	4	100	187	70	30°	76,2x2,4	SAE 34,9 x 16C	
SY.100A.00.41.70-182/76,2x1,6	182/76 76,2x1,6 30° SAE34,9X16C	4	100	182	76	30°	76,2x1,6	SAE 34,9 x 16C	
SY.100A.00.41.50.8-157/76,2x2,4	157/50 76,2x2,4 20° SAE34,9X16C	4	100	157	50	20°	76,2x2,4	SAE 34,9 x 16C	
SY.100A.00.31.111-230/50,8x2,4	230/111 50,8x2,4 20° SAE34,9X16C	4	100	230	111	20°	50,8x2,4	SAE 34,9 x 16C	
SY.100A.00.41.50.8-157/70x2	157/50 70x2 20° SAE34,9X16C	4	100	157	50	20°	70x2	SAE 34,9 x 16C	
SY.100A.00.41.50.8-157/76,2x1,6	157/50 76,2x1,6 20° SAE34,9X16C	4	100	157	50	20°	76,2x1,6	SAE 34,9 x 16C	
SY.100A.00.60-189,5/49,6X1,8	189,5 / 60 49,6X1,8 25°SAE 34,9 X 16C	4	100	189,5	60	25°	49,6X1,8	SAE 34,9 x 16C	

TUBE YOKE

PART NUMBER	Fig.	JSD	Lt	βmax	Ø Ts	REFERENCE
TY.100A.00.-43/76,2x1,6	1	100	43	25°	76,2X1,6	
TY.100A.00.-55/69,9x1,6	1	100	55	25°	69,9X1,6	
TY.100A.00.-55/76,2x2,4	1	100	55	25°	76,2X2,4	
TY.100A.00.-43/50,8x2,4	1	100	43	25°	50,8X2,4	
TY.100A.00.-49,2/50,8x2,4	1	100	49	25°	50,8X2,4	
TY.100A.00.-42,9/76,2x2,1	1	100	49	26°	76,2X2,1	
TY.100A.00.-47/63,5x1,6	1	100	47	25°	63,5X1,6	
TY.100A.00.-55/76,2x1,6	1	100	55	25°	76,2X1,6	
TY.100A.00.-47/63,5x2,4	1	100	47	25°	63,5X2,4	
TY.100A.00.-49/50x3	1	100	49	25°	50X3	
TY.100A.00.-55/50X3	1	100	55	26°	50X3	



SHORT COUPLING ASSEMBLY

PART NUMBER	Fig.	JSD	Lt	βmax	Ls	Spline
SCA.100A.00.12.60-215	1	100	215	20°	60	SAE 34,9 x 16C

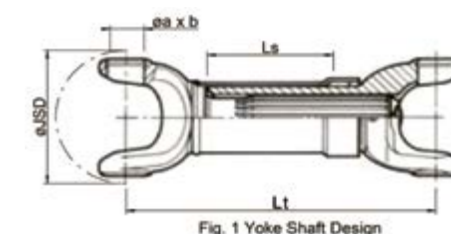
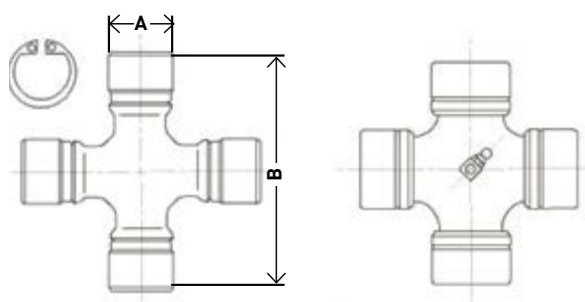


Fig. 1 Yoke Shaft Design

X. 100B SERIES | 30X81,8

UNIVERSAL JOINT



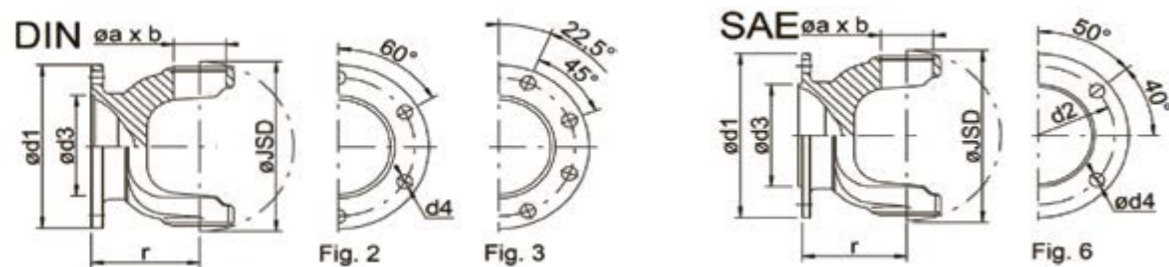
SICIT PART NUMBER	2200
DIAMETER [D]	30
LENGTH [L]	81,8
LUBRIFICATION	Central with grease nipple
REFERENCE	GWB 287.10 RENAULT 42535251, 42541373, 42530886, 5000806121, 5001860801, 5001847826 MAN 81392006003

ENGINEERING DATA



TMAX	[maximum static torque capacity, based on material strength]	Nm	2000
TFAT	[reversing, dynamic torque capacity, based on material strength]	Nm	1000
ULT	[U.-Joint life torque capacity, based on the bearing data]	Nm	660
JSD	[over all swing diameter across the U.-Joint]	mm	100
β	[standard deflection angle, which may vary depending on design]	deg	25
TUBE		from	50
		to	76,2
LC MAX	[Maximum compressed length]	mm	490
Ls max	Ls max [Maximum length compensation]	mm	140

FLANGE YOKES



PART NUMBER	DESCRIPTION	Fig.	JSD	d1	d2	d3	n x d4	r	βmax	REFERENCE
FY.100B.00.109-58	DIN 100/6-8 r58 35° spigot Ø 57	2	100	100	84	57	6 x 8,2	58	35°	
FY.100B.00.109-48	DIN 100/6-8 r48 25° spigot Ø 57	2	100	100	84	57	6 x 8,2	48	25°	
FY.100B.00.110-48	DIN 100/8-8 r48 25° spigot Ø 57	3	100	100	84	57	8 x 8,2	48	25°	
FY.100B.00.110-58	DIN 100/8-8 r58 35° spigot Ø 57	3	100	100	84	57	8 x 8,2	58	35°	
FY.100B.00.112-48	DIN 120/8-8 r48 25° spigot Ø 75	3	100	120	101,5	75	8 x 8,2	48	25°	
FY.100B.00.112-54	DIN 120/8-8 r54 30° spigot Ø 75	3	100	120	101,5	75	8 x 8,2	54	30°	
FY.100B.00.113-48	DIN 120/8-10 r48 25° spigot Ø 75	3	100	120	101,5	75	8 x 10,2	48	25°	
FY.100B.00.113-54	DIN 120/8-10 r58 35° spigot Ø 75	3	100	120	101,5	75	8 x 10,2	54	35°	
FY.100B.00.203-48	SAE 96,8/4-10 r48 25° spigot Ø 60,3	6	100	96,8	79,4	60,3	4 x 10,2	48	25°	
FY.100B.00.203-58	SAE 96,8/4-10 r58 35° spigot Ø 60,3	6	100	96,8	79,4	60,3	4 x 10,2	58	35°	
FY.100B.00.205-48	SAE 115,9/4-11,2 r48 25° spigot Ø 69,9	6	100	115,9	95,3	69,9	4 x 11,2	48	25°	
FY.100B.00.205-56	SAE 116,9/4-11,2 r56 35° spigot Ø 69,9	6	100	116,9	95,3	69,9	4x11,2	56	35°	
FY.100B.00.206-48	SAE 116,9/4-12 r48 25° spigot Ø 69,9	6	100	116,9	95,3	69,9	4 x 12	48	25°	
FY.100B.00.206-58	SAE 116,9/4-12 r58 35° spigot Ø 69,9	6	100	116,9	95,3	69,9	4 x 12	58	35°	

SLIP YOKE ASSY

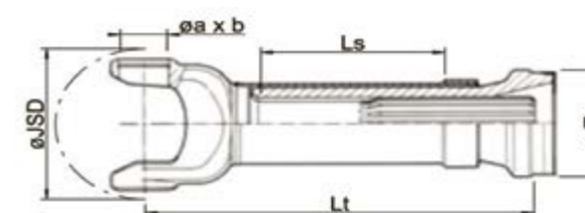
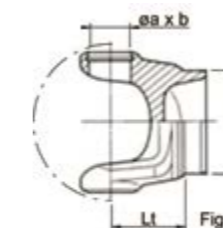


Fig.1 Yoke Shaft Design with cover tube

PART NUMBER	DESCRIPTION	Fig.	JSD	Lt	Ls	βmax	Ø Ts	Spline
SY.100B.00.11.140-250/76,2x2,4	250/140 76,2x2,4 35° 38x2x18 DIN5480	1	100	250	140	35°	76,2x2,4	38 x 2 x 18 DIN5480
SY.100B.00.11.85-209/70x2	209/85 70x2 35° 38x2x18 DIN5480	1	100	209	85	35°	70x2	38 x 2 x 18 DIN5480
SY.100B.00.11.85-207/60x3	207/85 60x3 35° 38x2x18 DIN5480	1	100	207	85	35°	60x3	38 x 2 x 18 DIN5480
SY.100B.00.11.100-217/52x4	217/100 52x4 35° 38x2x18DIN5480	1	100	217	100	35°	52x4	38 x 2 x 18 DIN5480
SY.100B.00.11.85-209/76,2x2,4	209/85 76,2x2,4 35° 38x2x18 DIN5480	1	100	209	85	35°	76,2x2,4	38 x 2 x 18 DIN5480
SY.100B.00.11.110-220/76,2x2,4	220/110 76,2x2,4 35° 38x2x18 DIN5480	1	100	220	110	35°	76,2x2,4	38 x 2 x 18 DIN5480
SY.100B.00.11.110-247/50x3	217/110 50x3 35° 38x2x18 DIN5480	1	100	217	110	35°	50x3	38 x 2 x 18 DIN5480
SY.100B.00.11.130-237/60x3	237/130 60x3 35° 38x2x18 DIN5480	1	100	237	130	35°	60x3	38 x 2 x 18 DIN5480

TUBE YOKE



PART NUMBER	Fig.	JSD	Lt	βmax	Ø Ts	REFERENCE
TY.100B.00.-55/50x3	1	100	55	35°	50X3	
TY.100B.00.-45/76,2x2,4	1	100	45	25°	76,2X2,4	
TY.100B.00.-55/60x3	1	100	55	35°	60X3	
TY.100B.00.-72,5/70x2	1	100	72,5	25°	70X2	

SHORT COUPLING ASSEMBLY

PART NUMBER	Fig.	JSD	Lt	βmax	Ls	Spline
SCA.100B.00.12.60-240	1	100	240	20°	60	38 x 2 x 18 DIN5480

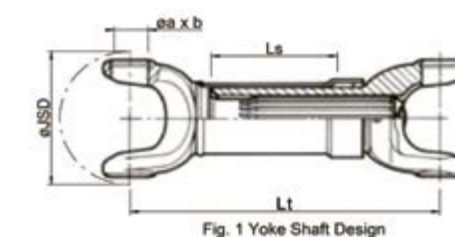
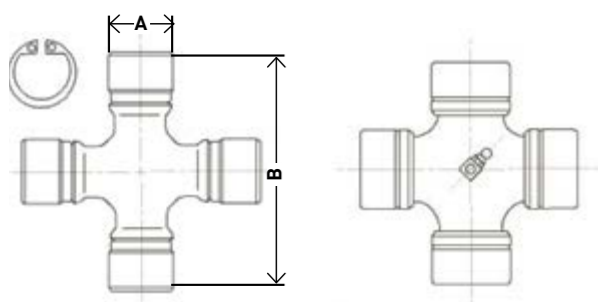


Fig. 1 Yoke Shaft Design

X. 113 SERIES | 34,9 X 92,2

UNIVERSAL JOINT



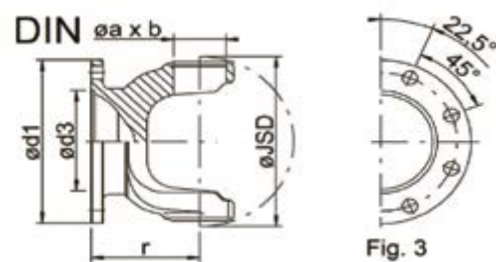
SICIT PART NUMBER	2890
DIAMETER [D]	34,9
LENGHT [L]	92,2
LUBRIFICATION	Central with grease nipple
REFERENCE	GWB 687.25 GKN 2025

ENGINEERING DATA



TMAX	[maximum static torque capacity, based on material strength]	Nm	3200
TFAT	[reversing, dynamic torque capacity, based on material strength]	Nm	1600
ULT	[U.-Joint life torque capacity, based on the bearing data]	Nm	916
JSD	[over all swing diameter across the U.-Joint]	mm	113
β	[standard deflection angle, which may vary depending on design]	deg	25
TUBE		from	76,2
		to	90
LC MAX	[Maximum compressed length]	mm	253
Ls max	Ls max [Maximum length compensation]	mm	120

FLANGE YOKES



PART NUMBER	DESCRIPTION	Fig.	JSD	d1	d2	d3	n x d4	r	βmax	REFERENCE
FY.113.00.113-70	DIN 120/8-10 r70 25° spigot Ø 75	3	113	120	101,5	75	8 x 10,2	70	25°	
FY.113.00.114-60	DIN 150/8-12 r60 30° spigot Ø 75	3	113	150	130	90	8 x 10,2	60	30°	

SLIP YOKE ASSY

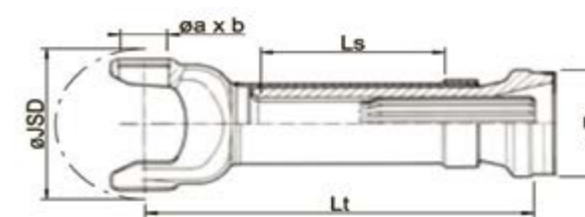


Fig.1 Yoke Shaft Design with cover tube

PART NUMBER	DESCRIPTION	Fig.	JSD	Lt	Ls	βmax	Ø Ts	Spline
SY.113.00.11.120-253/88,9x2,4	253/120 88,9x2,4 25° 48X1,5X30 DIN 5480	1	113	253	120	25°	88,9x2,4	48x1,5x30 DIN5480

TUBE YOKE

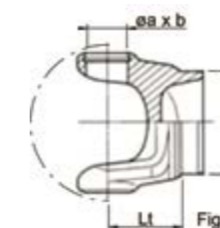
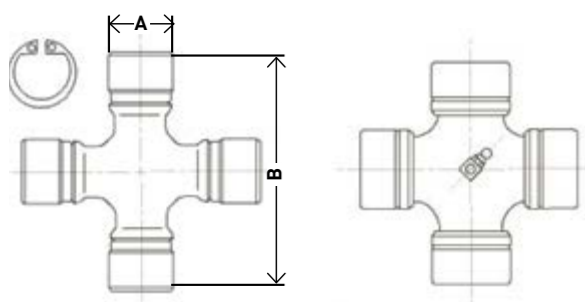


Fig.1

PART NUMBER	Fig.	JSD	Lt	βmax	Ø Ts	REFERENCE
TY.113.00.-70/88,9.2X2,5	1	113	70	22°	88,9x2,5	

X. 116 SERIES | 35X96,8

UNIVERSAL JOINT



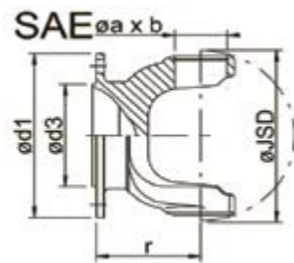
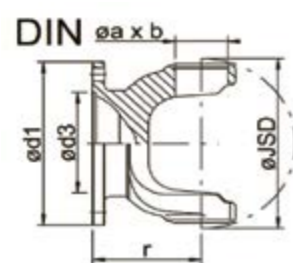
SICIT PART NUMBER	2220
DIAMETER [D]	35
LENGHT [L]	96,8
LUBRIFICATION	Central with grease nipple
REFERENCE	GWB 587.10 RENAULT TRUCKS 5001831142, 5001831864 DAF 542635

ENGINEERING DATA



TMAX	[maximum static torque capacity, based on material strength]	Nm	3000
TFAT	[reversing, dynamic torque capacity, based on material strength]	Nm	1900
ULT	[U.-Joint life torque capacity, based on the bearing data]	Nm	920
JSD	[over all swing diameter across the U.-Joint]	mm	116
β	[standard deflection angle, which may vary depending on design]	deg	35
TUBE		from	70
		to	90
LC MAX	[Maximum compressed length]	mm	450
Ls max	Ls max [Maximum length compensation]	mm	120

FLANGE YOKES



PART NUMBER	DESCRIPTION	Fig.	JSD	d1	d2	d3	n x d4	r	βmax	REFERENCE
FY.116.00.112-70	DIN 120/8-8 r70 35° spigot Ø 75	3	116	120	101,5	75	8 x 8,2	70	35°	
FY.116.00.113-64	DIN 120/8-10 r64 25° spigot Ø 75	3	116	120	101,5	75	8 x 10,2	64	25°	
FY.116.00.114-70	150/8-10 r70 35° spigot Ø 90	3	116	150	130	90	8x10,2	70	35°	
FY.116.00.115-70	DIN 150/8-12 r70 35° spigot Ø 90	3	116	150	130	90	8 x 12,2	70	35°	
FY.116.00.206-65	SAE 115,9/4-12,2 r65 25° spigot Ø 69,9	6	116	115,9	95,3	69,9	4 x 12,2	65	25°	
FY.116.00.207-70	SAE 150/4-12,2 r70 35° spigot Ø 95,3	6	116	150	120,7	95,3	4 x 12,2	70	35°	
FY.116.00.209-70	SAE 150/4-14,2 r70 35° spigot Ø 95,3	6	116	150	120,7	95,3	4 x 14,2	70	35°	

SLIP YOKE ASSY

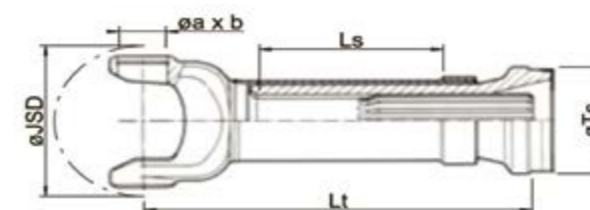
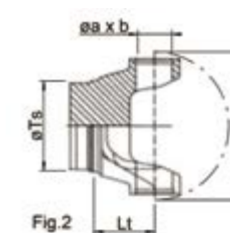
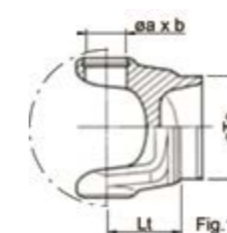


Fig.1 Yoke Shaft Design with cover tube

PART NUMBER	DESCRIPTION	Fig.	JSD	Lt	Ls	βmax	Ø Ts	Spline
SY.116.00.11.120-240/70x3	240/120 70x3 30° 45x2,5x16 DIN5480	1	116	240	120	30°	70x3	45 x 2,5 x 16 DIN5480
SY.116.00.11.110-229/88,9x2,4	229/110 88,9x2,4 30° 45x1,5x28 DIN5480	1	116	229	110	30°	88,9x2,4	45 x 1,5 X 28 DIN5480
SY.116.00.11.110-229/90x3	229/110 90x3 30° 45x1,5x28 DIN5480	1	116	229	110	30°	90x3	45 x 1,5 X 28 DIN5480
SY.116.00.11.150-280/70x3	280/150 70x3 30° 45x1,5x28 DIN5480	1	116	280	150	30°	70x3	45 x 1,5 X 28 DIN5480
SY.116.00.11.140-320/70X1,85	240/120 70x3 30° 45x2,5x16 DIN5480	1	116	320	140	30°	70X1,85	45 x 2,5 x 16 DIN5480

TUBE YOKE



PART NUMBER	Fig.	JSD	Lt	βmax	Ø Ts	REFERENCE
TY.116.00.-70/70x3	1	116	70	35°	70X3	
TY.116.00.-70/90x3	2	116	70	35°	90X3	

SHORT COUPLING ASSEMBLY

PART NUMBER	Fig.	JSD	Lt	Ls	βmax	Spline
SCA.116.00.11.75-300	1	116	300	75	25°	45 x 2,5 x 16 DIN 5480
SCA.116.00.11.80-285	1	116	285	80	25°	45 x 2,5 x 16 DIN 5480

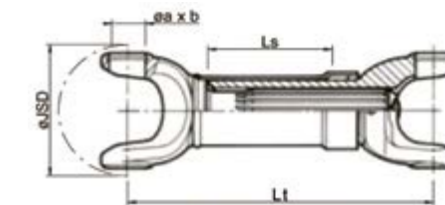
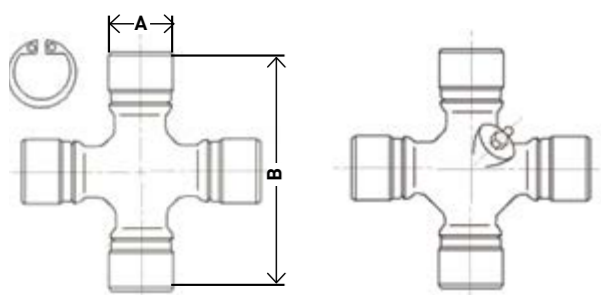


Fig. 1 Yoke Shaft Design

X. 122 SERIES | 30,2X106,3

UNIVERSAL JOINT



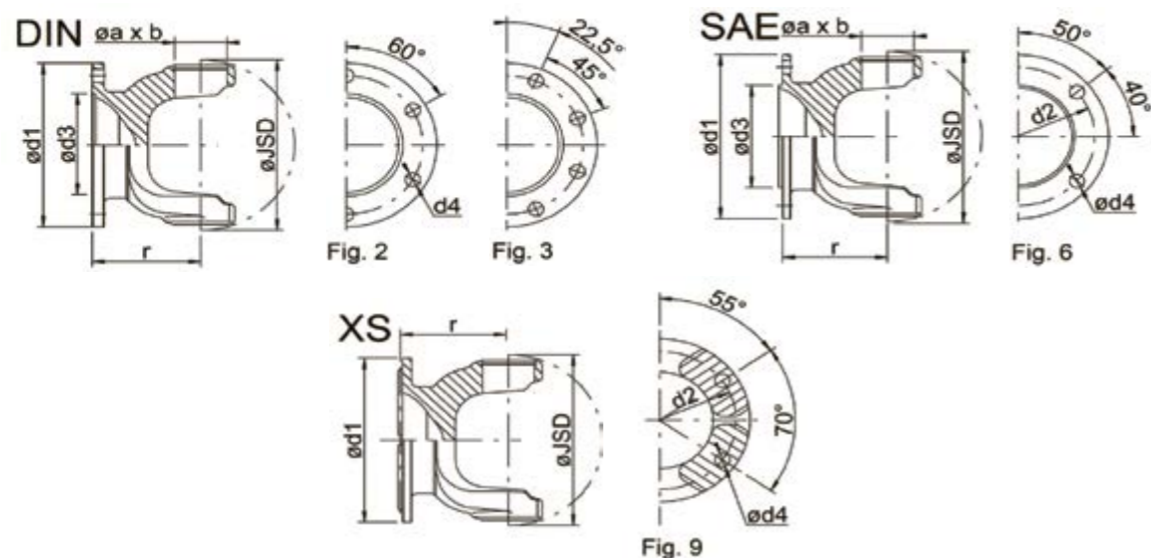
SICIT PART NUMBER	1280
DIAMETER [D]	30,2
LENGHT [L]	106,3
LUBRIFICATION	Side with grease nipple
REFERENCE	SPICER 1410 GKN U200 RENAULT TRUCKS 5000295989, 5000821043, 5001830868 IVECO 92601339, 93158199 VOLVO 608921, 6852586

ENGINEERING DATA



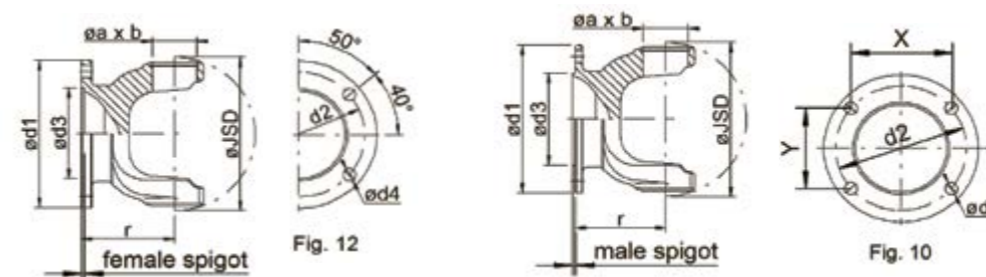
TMAX	[maximum static torque capacity, based on material strength]	Nm	2400
TFAT	[reversing, dynamic torque capacity, based on material strength]	Nm	1200
ULT	[U.-Joint life torque capacity, based on the bearing data]	Nm	980
JSD	[over all swing diameter across the U.-Joint]	mm	122
β	[standard deflection angle, which may vary depending on design]	deg	25
TUBE		from	50,8
		to	88,9
LC MAX	[Maximum compressed length]	mm	490
Ls max	Ls max [Maximum length compensation]	mm	120

FLANGE YOKES



PART NUMBER	DESCRIPTION	Fig.	JSD	d1	d2	d3	n x d4	r	βmax	REFERENCE
FY.122.00.109-70	DIN 100/6-8 r70 35° spigot Ø 57	2	122	100	84	57	6 x 8,2	70	35°	
FY.122.00.112-56	DIN 120/8-8 r56 25° spigot Ø 75	3	122	120	101,5	75	8 x 8,2	56	25°	
FY.122.00.113-56	DIN 120/8-10 r56 25° spigot Ø 75	3	122	120	101,5	75	8 x 10,2	56	25°	
FY.122.00.205-43	SAE 115,9/4-11,2 r43 20° spigot Ø 69,9	6	122	115,9	95,3	69,9	4 x 11,2	43	20°	
FY.122.00.206-43	SAE 115,9/4-12,2 r43 20° spigot Ø 69,9	6	122	115,9	95,3	69,9	4 x 12,2	43	20°	
FY.122.00.206-55	SAE 115,9/4-12,2 r55 25° spigot Ø 69,9	6	122	120	100	70	4 x 12,2	55	25°	
FY.122.00.207-50,8	SAE 150/4-12,2 r50,8 20° spigot Ø 95,3	6	122	150	120,7	95,3	4 x 12,2	50,8	20°	
FY.122.00.209-50,8	SAE 150/4-14,2 r50,8 20° spigot Ø 95,3	6	122	150	120,7	95,3	4 x 14,2	50,8	20°	
FY.122.00.602-58	XS120/4-11 r58 22°	9	122	120	100	-	4 x 11,2	58	22°	IVECO Daily

LIGHT COMMERCIAL VEHICLE



PART NUMBER	DESCRIPTION	Fig.	JSD	d1	d2	X x Y	d3	n x d4	r	βmax	REFERENCE
FY.122.00.9104-55	SAE 120/4-12 r55 25° spigot Ø80 square	10	122	120	-	80,9 x 58,8	80	4 x 12,2	55	25°	ISUZU
FY.122.00.9107-54	DIN 120/6-10 r50 20° spigot Ø82,5 round	12	122	120	101,5		82,5	6 x 10,2	54	20°	
FY.122.00.987-43	SAE 114/4-10 r43 20° spigot Ø60 round	10	122	114	90		60	4 x 10,2	43	20°	

SLIP YOKE ASSY

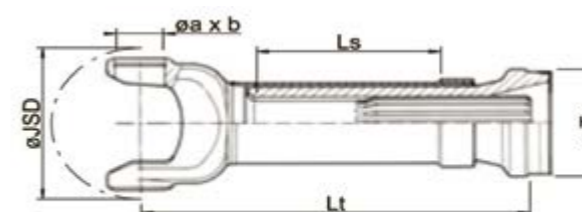
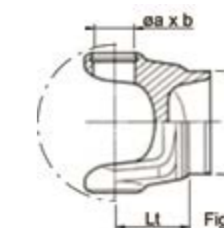


Fig.1 Yoke Shaft Design with cover tube

PART NUMBER	DESCRIPTION	Fig.	JSD	Lt	Ls	βmax	Ø Ts	Spline	REFERENCE
SY.122.00.11.70-191/88,9x2,4	191/70 88,9x2,4 20° SAE38,1X16C	1	122	191	70	20°	88,9x2,4	SAE 38,1 x 16C	
SY.122.00.11.55-186/50,8x2,8	186/55 50,8x2,8 20° SAE38,1X16C	1	122	186	55	20°	50,8x2,8	SAE 38,1 x 16C	
SY.122.00.11.70-191/76,2x2,4	191/70 76,2x2,4 20° SAE38,1X16C	1	122	191	70	20°	76,2x2,4	SAE 38,1 x 16C	
SY.122.00.11.90-221/76,2x2,4	221/90 76,2x2,4 20° SAE38,1X16C	1	122	221	90	20°	76,2x2,4	SAE 38,1 x 16C	

TUBE YOKE

PART NUMBER	Fig.	JSD	Lt	βmax	Ø Ts	REFERENCE
TY.122.00.-54/76,2x2,4	1	122	54	20°	76,2X2,4	
TY.122.00.-54/88,9x2,4	1	122	54	20°	88,9X2,4	
TY.122.00.-52/50,8x2,8	1	122	52	20°	50,8X2,8	
TY.122.00.-59/50,8x2,4	1	122	59	25°	50,8X2,4	



MID SHIP ASSY

PART NUMBER
MSA.122.1410.001
MSA.122.1410.002

SHORT COUPLING ASSEMBLY

PART NUMBER	Fig.	JSD	Lt	Ls	βmax	Spline
SCA.122.00.41.85-253	4	122	253	85	25°	SAE 38,1X16C
SCA.122.00.41.36-185	4	122	185	36	25°	SAE 38,1X16C

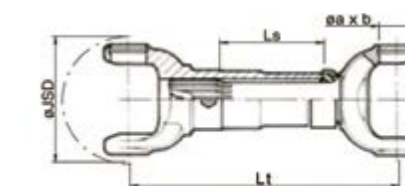
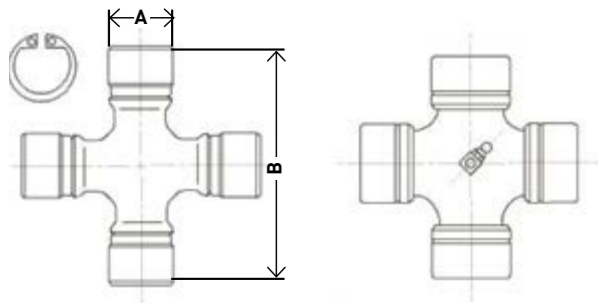


Fig. 4 Sleeve Yoke Design

X. 126 SERIES | 42 X 106

UNIVERSAL JOINT



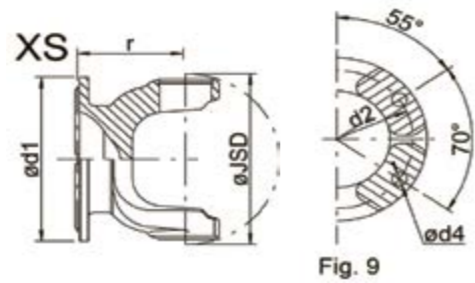
SICIT PART NUMBER	2390
DIAMETER [D]	42
LENGHT [L]	106
LUBRIFICATION	Central with grease nipple
REFERENCE	MERCEDES-BENZ 6174100031

ENGINEERING DATA



TMAX	[maximum static torque capacity, based on material strength]	Nm	3800
TFAT	[reversing, dynamic torque capacity, based on material strength]	Nm	1900
ULT	[U.-Joint life torque capacity, based on the bearing data]	Nm	1100
JSD	[over all swing diameter across the U.-Joint]	mm	126
β	[standard deflection angle, which may vary depending on design]	deg	22
TUBE		from	76,2
		to	90
LC MAX	[Maximum compressed length]	mm	515
Ls max	Ls max [Maximum length compensation]	mm	110

FLANGE YOKES



PART NUMBER	DESCRIPTION	Fig.	JSD	d1	d2	d3	n x d4	r	βmax	REFERENCE
FY.126.00.602-70	XS120/4-11 r70 25°	9	126	120	100	-	4 x 11,2	70	25°	A9714110111

SLIP YOKE ASSY

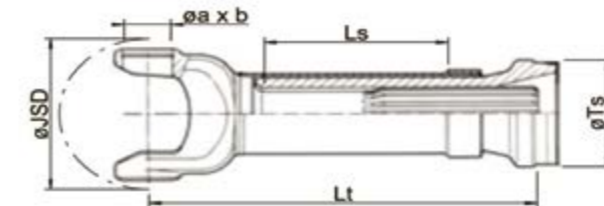
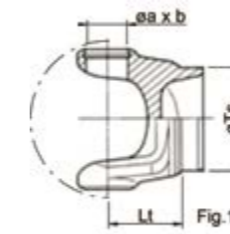


Fig.1 Yoke Shaft Design with cover tube

PART NUMBER	DESCRIPTION	Fig.	JSD	Lt	Ls	βmax	Ø Ts	Spline	REFERENCE
SY.126.00.11.110-295/90x2,5	295/110 90x2,5 25° 55X2,5X20 DIN5480	1	126	295	110	25°	90x2,5	55X2,5X20 DIN5480	A3814110108
SY.126.00.11.110-295/88,9x2,4	295/110 88,9x2,4 25° 55X2,5X20 DIN5480	1	126	295	110	25°	88,9x2,4	55X2,5X20 DIN5480	

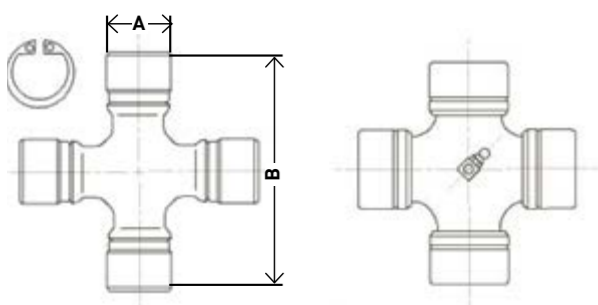
TUBE YOKE



PART NUMBER	Fig.	JSD	Lt	βmax	Ø Ts	REFERENCE
TY.126.00.80/88,9x2,4	1	126	80	25°	88,9X2,4	

X. 127 SERIES | 34,9 X 106,4

UNIVERSAL JOINT



SICIT PART NUMBER	2880
DIAMETER [D]	34,9
LENGHT [L]	106,4
LUBRIFICATION	Central with grease nipple
REFERENCE	GWB 687.30 GKN U917 IVECO EUROCARGO SPICER 1480

ENGINEERING DATA



TMAX	[maximum static torque capacity, based on material strength]	Nm	3800
TFAT	[reversing, dynamic torque capacity, based on material strength]	Nm	1900
ULT	[U.-Joint life torque capacity, based on the bearing data]	Nm	1180
JSD	[over all swing diameter across the U.-Joint]	mm	127
β	[standard deflection angle, which may vary depending on design]	deg	25
TUBE		from	76,2
		to	90
LC MAX	[Maximum compressed length]	mm	492
Ls max	Ls max [Maximum length compensation]	mm	115

FLANGE YOKES

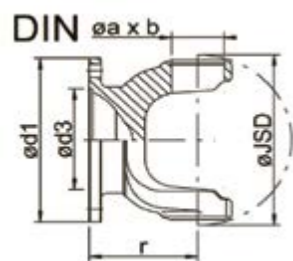


Fig. 3

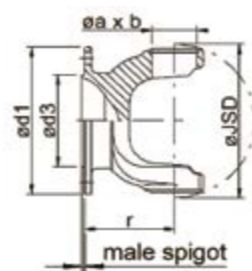


Fig. 10

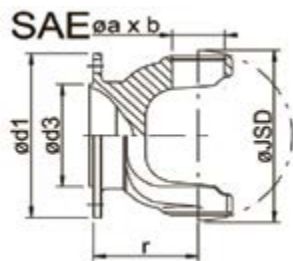


Fig. 6

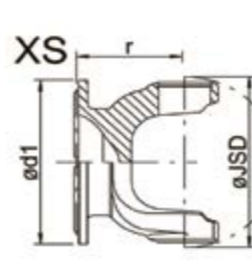


Fig. 9

Flange Yoke Light commercial vehicle

PART NUMBER	DESCRIPTION	Fig.	JSD	d1	d2	d3	n x d4	r	βmax	REFERENCE
FY.127.00.113-65	DIN 120/8-10 r65 25° spigot Ø 75	3	127	120	101,5	75	8 x 10,2	65	25°	
FY.127.00.113-74	DIN 120/8-10 r78 30° spigot Ø 75	3	127	120	101,5	75	8X10,2	74	30°	
FY.127.00.115-74	DIN 150/8-12 r78 30° spigot Ø 75	3	127	150	101,5	75	8X12	74	30°	
FY.127.00.206-65	SAE 115,9/4-12 r65 25° spigot Ø 69,9	6	127	115,9	95,25	69,85	4 x 12,2	65	25°	SPICER 1410
FY.127.00.207-50,8	SAE 150/4-12,7 r50,8 25° spigot Ø 95,3	6	127	150	120,7	95,3	4 x 12,7	50,8	25°	
FY.127.00.209-50,8	SAE 150/4-14,2 r50,8 25° spigot Ø 95,3	6	127	150	120,7	95,3	4 x 14,2	50,8	25°	
FY.127.00.602-63,5	XS120/4-11 r63,5 25°	9	127	122	100	-	4 x 11	63,5	25°	

LIGHT COMMERCIAL VEHICLE

PART NUMBER	DESCRIPTION	Fig.	JSD	d1	d2	X x Y	d3	n x d4	r	βmax	REFERENCE
FY.127.00.9104-65	SAE 120/4-12 r65 24° spigot Ø80 round	10	127	120	-	80,90 x 58,80	80	4 x 12,2	65	24°	ISUZU
FY.127.00.9106-62	SAE 135/4-12 r62 27° spigot Ø80 square	10	127	135	-	95,20 x 55,00	80	4 x 12,2	62	27°	ISUZU
FY.127.00.941-65	SAE 120/4-12 r65 24° spigot Ø70 round	6	127	120	100	-	70	4 x 12,2	65	24°	MITSUBISHI
FY.127.00.998-62	SAE 146/4-13 r62 27° spigot Ø68 round	6	127	146	122	-	68	4 x 13,2	62	27°	

SLIP YOKE ASSY

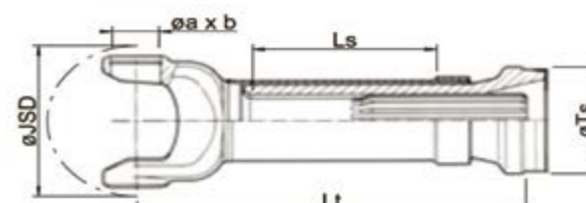


Fig.1 Yoke Shaft Design with cover tube

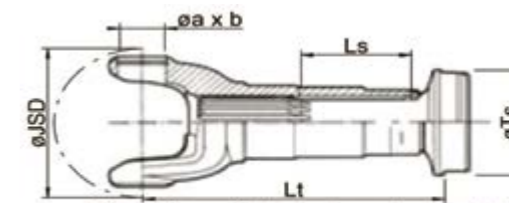


Fig.4 Sleeve Yoke Design w/o cover tube

PART NUMBER	DESCRIPTION	Fig.	JSD	Lt	Ls	βmax	ØTs	Spline
SY.127.00.41.70-198/76,2x2,4	198/70 76,2x2,4 22° SAE44,45X16C	4	127	198	70	22°	76,2x2,4	SAE 44,45 x 16C
SY.127.00.11.110-245/88,9x2,4	245/110 88,9x2,4 25° 48X1,5X30 DIN 5480	1	127	245	110	25°	88,9x2,4	48x1,5x30 DIN5480
SY.127.00.11.110-245/76,2x2,4	245/110 76,2x2,4 25° 48X1,5X30 DIN 5480	1	127	245	110	25°	76,2x2,4	48x1,5x30 DIN5480
SY.127.00.11.115-228/70x3	228/115 70x3 25° 45X2,5X16 DIN 5480	1	127	228	115	25°	70x3	45x2,5x16 DIN5480
SY.127.00.11.100-208/76,2x2,4	208/100 76,2x2,4 22° 48X1,5X30 DIN 5480	1	127	208	100	22°	76,2x2,4	48x1,5x30 DIN5480
SY.127.00.11.80-183/76,2x2,4	183/80 76,2x2,4 22° 48X1,5X30 DIN 5480	1	127	183	80	22°	76,2x2,4	48x1,5x30 DIN5480

TUBE YOKE

PART NUMBER	Fig.	JSD	Lt	βmax	ØTs	REFERENCE
TY.127.00.-51,6/76,2X2,4	1	127	51,6	22°	76,2x2,4	
TY.127.00.-51,6/88,9x2,4	1	127	51,6	22°	88,9x2,4	
TY.127.00.-65/88,9x2,4	1	127	65	22°	88,9x2,4	

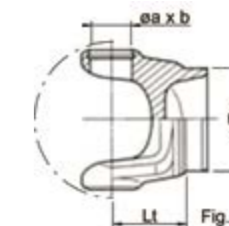


Fig.1

MID SHIP ASSY

PART NUMBER
MSA.127.68730.001
MSA.127.68730.002

SHORT COUPLING ASSEMBLY

PART NUMBER	Fig.	JSD	Lt	Ls	βmax	Spline
SCA.127.00.41.65-232	4	127	232	65	22°	SAE44,5x16C Rilsan
SCA.127.00.41.50-232	4	127	232	50	22°	SAE44,5x16C Rilsan
SCA.127.00.41.70-260	4	127	260	70	22°	SAE44,5x16C Rilsan

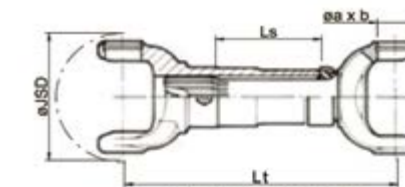
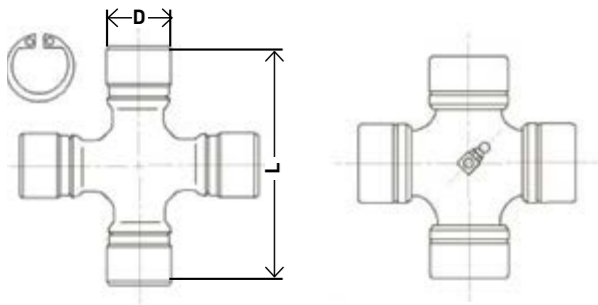


Fig. 4 Sleeve Yoke Design

X. 130 SERIES | 38 X 148

UNIVERSAL JOINT



SICIT PART NUMBER	1870/C
DIAMETER [D]	38
LENGHT [L]	148
LUBRIFICATION	Central with grease nipple
REFERENCE	SCANIA P 300

ENGINEERING DATA



TMAX	[maximum static torque capacity, based on material strength]	Nm	7300
TFAT	[reversing, dynamic torque capacity, based on material strength]	Nm	3700
ULT	[U.-Joint life torque capacity, based on the bearing data]	Nm	2200
JSD	[over all swing diameter across the U.-Joint]	mm	130
β	[standard deflection angle, which may vary depending on design]	deg	
TUBE		from	
		to	
LC MAX	[Maximum compressed length]	mm	
Ls max	Ls max [Maximum length compensation]	mm	

SLIP YOKE ASSY

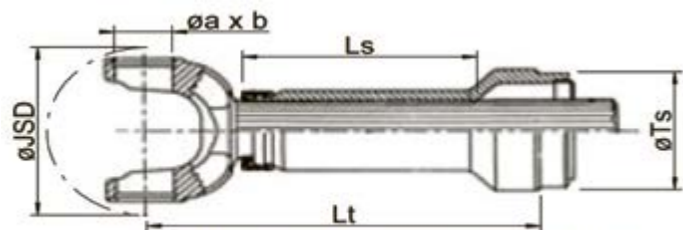


Fig.3 Yoke Shaft Design w/o cover tube

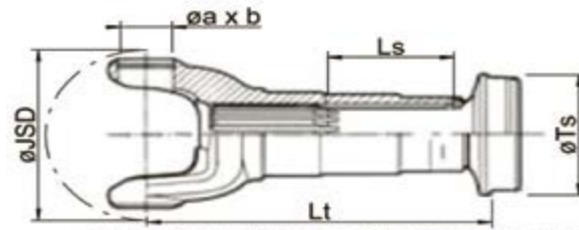
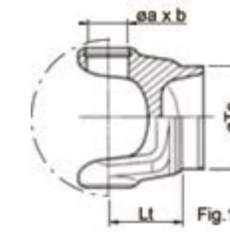


Fig.4 Sleeve Yoke Design w/o cover tube

PART NUMBER	DESCRIPTION	Fig.	JSD	Lt	Ls	βmax	Ø Ts	Spline	REFERENCE
SY.130.00.11.196-293/89X4	196-293/89X4 20 DIN 5480		130	293	196	20°	89X4	67,5x2,5x32 DIN 5480	

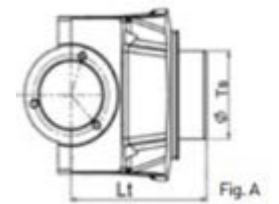
TUBE YOKE



PART NUMBER	Fig.	JSD	Lt	βmax	Ø Ts	REFERENCE
TY.130.00.-94/89X4	1	130	94	22°	89X4	

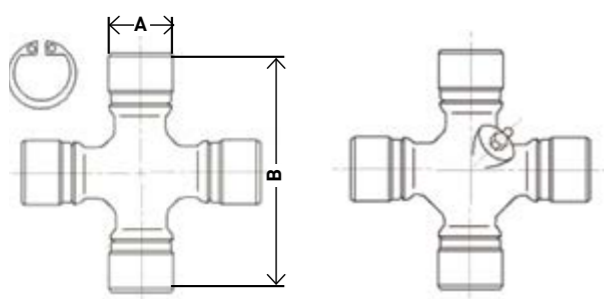
END YOKE

PART NUMBER	Fig.	JSD	Lt	βmax	Ø Ts	REFERENCE
EY.130.00.103 85X38	A	130	103		85X38	



X. 136 SERIES | 39,7 X 115,9

UNIVERSAL JOINT



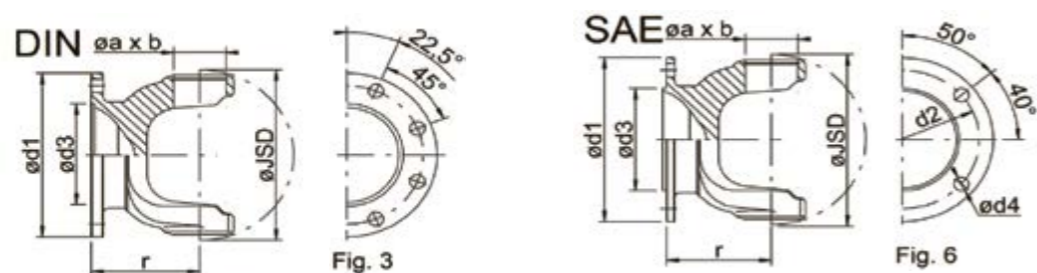
SICIT PART NUMBER	1140
DIAMETER [D]	39,7
LENGHT [L]	115,9
LUBRIFICATION	Side with grease nipple
REFERENCE	SPICER 1510 GKN U350 IVECO 4679190, 7984508 RENAULT 5000806165 VOLVO 36590, 6621656, 6852612, 6876177, 83453

ENGINEERING DATA



TMAX	[maximum static torque capacity, based on material strength]	Nm	4300
TFAT	[reversing, dynamic torque capacity, based on material strength]	Nm	2350
ULT	[U.-Joint life torque capacity, based on the bearing data]	Nm	1800
JSD	[over all swing diameter across the U.-Joint]	mm	136
β	[standard deflection angle, which may vary depending on design]	deg	25
TUBE		from	76,2
		to	88,9
LC MAX	[Maximum compressed length]	mm	490
Ls max	Ls max [Maximum length compensation]	mm	70

FLANGE YOKES



PART NUMBER	DESCRIPTION	Fig.	JSD	d1	d2	d3	n x d4	r	βmax	REFERENCE
FY.136.00.112-75	DIN 120/8-8 r75 25° spigot Ø 75	3	136	120	101,5	75	8 x 8,2	75	25°	
FY.136.00.113-75	DIN 120/8-10 r75 25° spigot Ø 75	3	136	120	101,5	75	8 x 10,2	75	25°	
FY.136.00.114-90	DIN 150/8-10 r90 30° spigot Ø 90	3	136	150	130	90	8 x 10,2	90	30°	
FY.136.00.115-90	DIN 150/8-12 r90 30° spigot Ø 90	3	136	150	130	90	8 x 12,2	90	30°	
FY.136.00.115-82,5	DIN 150/8-12 r82,5 35° spigot Ø 90	3	136	150	130	90	8 x 12,2	82,5	35°	
FY.136.00.119-90	DIN 165/8-16 r90 30° spigot Ø 95	3	136	165	140	95	8 x 16,2	90	30°	
FY.136.00.207-63,5	SAE 150/4-12,2 r63,5 25° spigot Ø 95,3	6	136	146	120,7	95,2	4 x 12,5	63,5	25°	
FY.136.00.209-63,5	SAE 150/4-14,2 r63,5 25° spigot Ø 95,3	6	136	146	120,7	95,2	4 x 14,2	63,5	25°	

SLIP YOKE ASSY

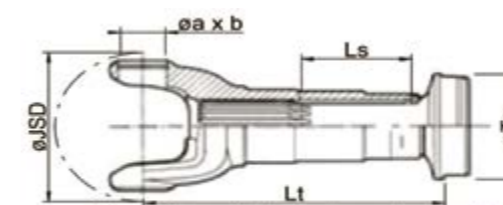


Fig.4 Sleeve Yoke Design w/o cover tube

PART NUMBER	DESCRIPTION	Fig.	JSD	Lt	Ls	βmax	Ø Ts	Spline	REFERENCE
SY.136.00.41.70-195/76,2x2,4	195/70 76,2x2,4 20° SAE44,45X16C	4	136	195	70	20°	76,2x2,4	SAE 44,45 x 16C	
SY.136.00.41.75-195/88,9x2,4	195/75 88,9x2,4 20° SAE44,45X16C	4	136	195	75	20°	88,9x2,4	SAE 44,45 x 16C	

TUBE YOKE

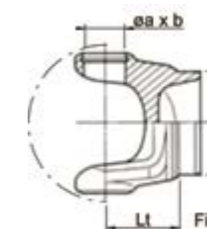


Fig.1

PART NUMBER	Fig.	JSD	Lt	βmax	Ø Ts	REFERENCE
TY.136.00.-71,4/88,9x2,4	1	136	71,4	22°	88,9x2,4	
TY.136.00.-71,4/76,2x2,4	1	136	71,4	22°	76,2x2,4	

SHORT COUPLING ASSEMBLY

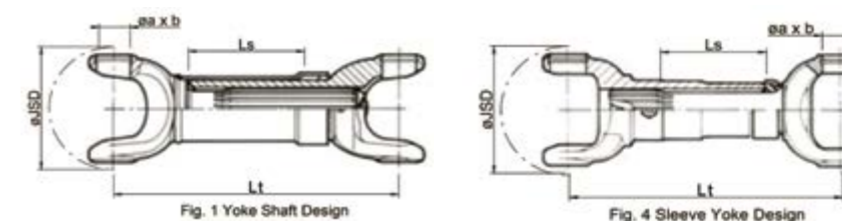


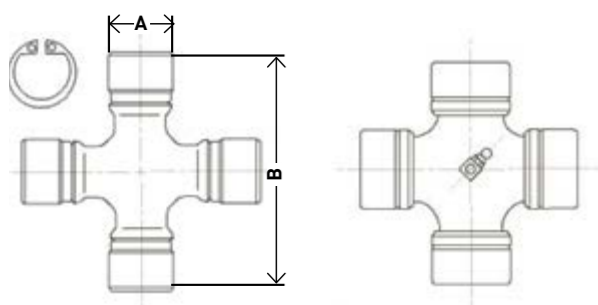
Fig. 1 Yoke Shaft Design

Fig. 4 Sleeve Yoke Design

PART NUMBER	Fig.	JSD	Lt	Ls	βmax	Spline
SCA.136.00.41.65-232	4	136	232	65	22°	SAE44,5 x16C Rilsan
SCA.136.00.41.20-168	1	136	168	20	25°	SAE 44,5X16C Rilsan

X. 142 SERIES | 42 X 119,4

UNIVERSAL JOINT



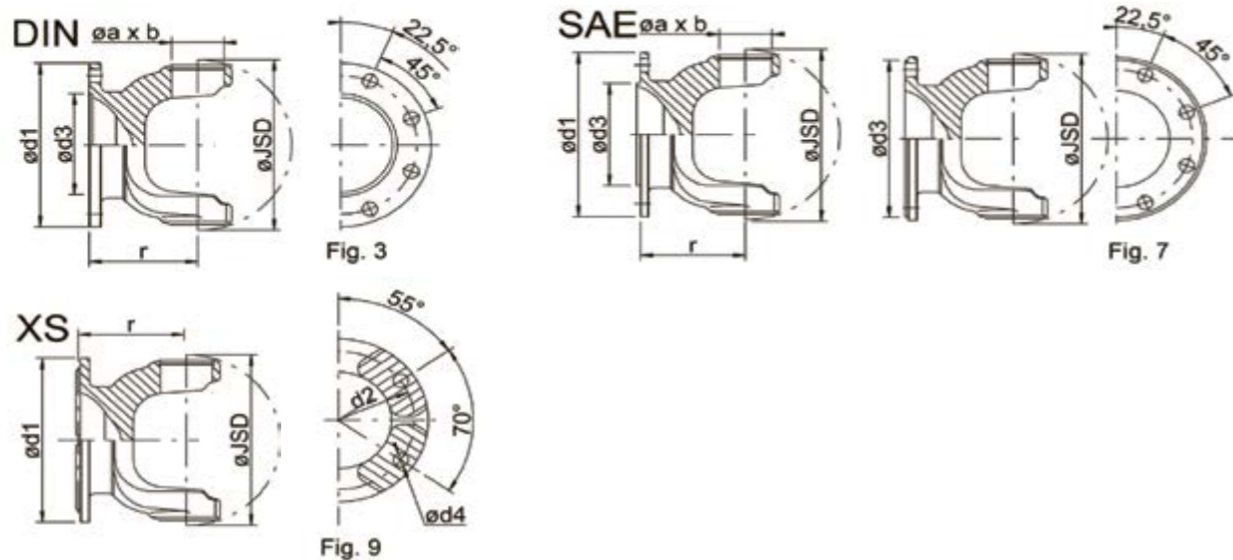
SICIT PART NUMBER	2680
DIAMETER [D]	42
LENGHT [L]	119,4
LUBRIFICATION	Central with grease nipple
REFERENCE	GWB 687.35 GKN U908 IVECO 93192015 DAF 1288224, 1451320

ENGINEERING DATA



TMAX	[maximum static torque capacity, based on material strength]	Nm	5500
TFAT	[reversing, dynamic torque capacity, based on material strength]	Nm	2900
ULT	[U.-Joint life torque capacity, based on the bearing data]	Nm	2090
JSD	[over all swing diameter across the U.-Joint]	mm	142
β	[standard deflection angle, which may vary depending on design]	deg	25
TUBE		from	80
		to	100
LC MAX	[Maximum compressed length]	mm	570
Ls max	Ls max [Maximum length compensation]	mm	140

FLANGE YOKES



PART NUMBER	DESCRIPTION	Fig.	JSD	d1	d2	d3	n x d4	r	βmax	REFERENCE
FY.142.00.114-72	DIN 150/8-10 r72 25° spigot Ø 90	3	142	150	130	90	8 x 10	72	25°	
FY.142.00.115-72	DIN 150/8-12 r72 25° spigot Ø 90	3	142	150	130	90	8 x 12	72	25°	
FY.142.00.115-95	DIN 150/8-12 r95 44° spigot Ø 90	3	142	150	130	90	8 x 12	95	44°	
FY.142.00.120-90	DIN 180/8-12 r90 35° spigot Ø 110	3	142	180	155,5	110	8 x 12,2	90	35°	
FY.142.00.121-90	DIN 180/8-14 r90 35° spigot Ø 110	3	142	180	155,5	110	8 x 14,2	90	35°	
FY.142.00.211-88	SAE 174,6/8-9 r88 35° spigot Ø 168,2	7	142	174,6	155,5	168,2	8 x 10,2	88	35°	
FY.142.00.602-75	XS120/4-11 r75 30°	9	142	120	100	-	4 x 11,2	75	30°	
FY.142.00.604-75	XS150/4-13 r75 30°	9	142	150	130	-	4 x 13,2	75	30°	

SLIP YOKE ASSY

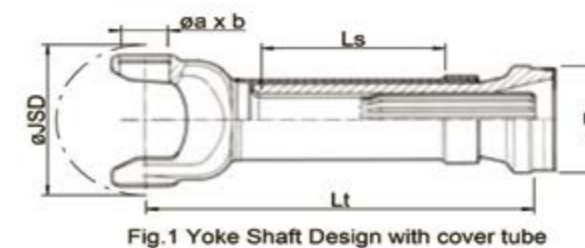
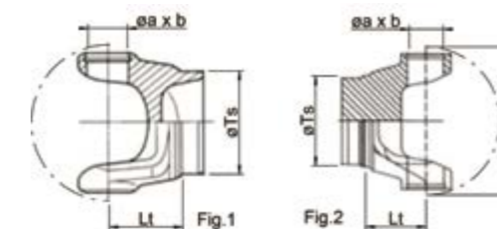


Fig.1 Yoke Shaft Design with cover tube

PART NUMBER	DESCRIPTION	Fig.	JSD	Lt	Ls	βmax	Ø Ts	Spline
SY.142.00.11.100-268/80x3	268/100 80x3 25° 55X2,5X20 DIN5480	1	142	268	100	25°	80x3	55X2,5X20 DIN5480
SY.142.00.11.110-280/100X3	280/110 100x3 25° 55X2,5X20 DIN5480	1	142	280	110	25°	100x3	55x2,5x20 DIN 5480
SY.142.00.11.110-260/100X3	260/110 100x3 25° 55X2,5X20 DIN5480	1	142	260	110	25°	100x3	55x2,5x20 DIN 5480
SY.142.00.11.140-285/90X2,86	285/140 90x2,86 25° 55X2,5X20 DIN5480	1	142	285	140	25°	90x2,86	55X2,5X20 DIN5480

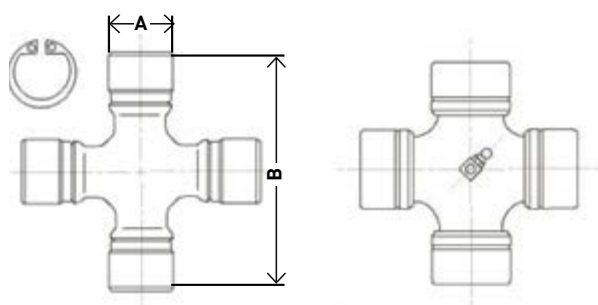
TUBE YOKE



PART NUMBER	Fig.	JSD	Lt	βmax	Ø Ts	REFERENCE
TY.142.00.-85/80x3	1	142	85	27	80x3	
TY.142.00.-72/100x3	1	142	72	27°	100x3	

X. 148 SERIES | 48 X 126

UNIVERSAL JOINT



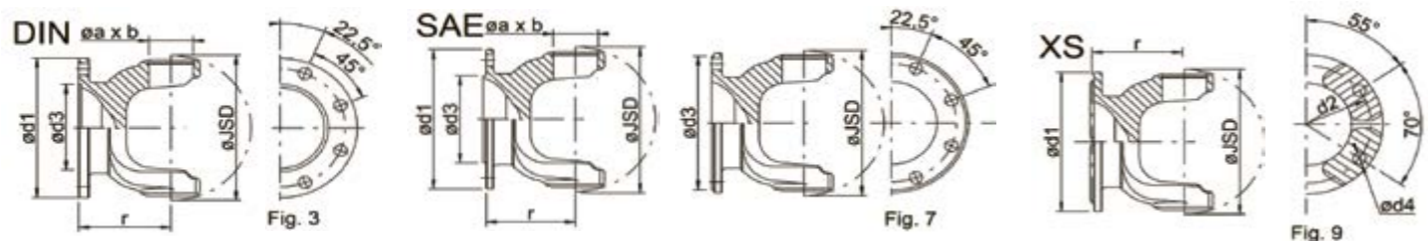
SICIT PART NUMBER	2320
DIAMETER [D]	48
LENGHT [L]	126
LUBRIFICATION	Central with grease nipple
REFERENCE	GKN U765 IVECO 42485180, 5990411 MERCEDES-BENZ 3604100231, 3814100231, 3854100531, 3854100731, 3864100031, 3874100131, 3874100731, 9734100031, 9734310031, A3604100231, A3814100231, A3854100531, A3854100731, A3864100031, A3874100131, A3874100731, A9734100031, A9734310031 RENAULT 5000802423 MAN 3874100131

ENGINEERING DATA



TMAX	[maximum static torque capacity, based on material strength]	Nm	8500
TFAT	[reversing, dynamic torque capacity, based on material strength]	Nm	4250
ULT	[U.-Joint life torque capacity, based on the bearing data]	Nm	2610
JSD	[over all swing diameter across the U.-Joint]	mm	148
β	[standard deflection angle, which may vary depending on design]	deg	25
TUBE		from	92
		to	100
LC MAX	[Maximum compressed length]	mm	520
Ls max	Ls max [Maximum length compensation]	mm	150

FLANGE YOKES



PART NUMBER	DESCRIPTION	Fig.	JSD	d1	d2	d3	n x d4	r	βmax	REFERENCE
FY.148.00.115-82,5	DIN 150/8-12 r82,5 30° spigot Ø 90	3	148	150	130	90	8 x 12,2	82,5	30°	
FY.148.00.119-82,5	DIN 165/8-16 r82,5 30° spigot Ø 95	3	148	165	140	95	8 x 16,2	82,5	30°	
FY.148.00.210-82,6	SAE148,2/8-9 r82,6 30° spigot Ø 148,2	7	148	174,6	155,2	148,22	8x9,6	82,6	30°	
FY.148.00.602-75	XS120/4-11 r75 30°	9	148	120	100	-	4 x 11,2	75	30°	
FY.148.00.604-75	XS150/4-13 r75 30°	9	148	150	130	-	4 x 13,2	75	30°	MB A6504110111
FY.148.00.606-90	XS180/4-15 r90 35°	9	148	180	150	-	4 x 15,2	90	35°	
FY.148.00.606-100	XS180/4-15 r100 40°	9	148	180	150	-	4 x 15,2	100	40°	

SLIP YOKE ASSY

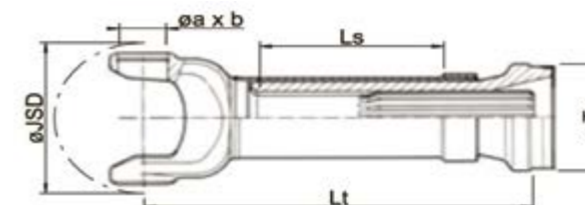
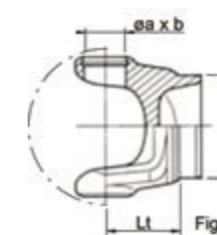


Fig.1 Yoke Shaft Design with cover tube

PART NUMBER	DESCRIPTION	Fig.	JSD	Lt	Ls	βmax	Ø Ts	Spline
SY.148.00.11.130-327/92x5	327/130 92x5 25° 65x2,5x24 DIN5480	1	148	327	130	25°	92x5	65x2,5x24 DIN5480
SY.148.00.11.150-367/92x5	367/150 92x5 25° 65x2,5x24 DIN5480	1	148	367	150	25°	92x5	65x2,5x24 DIN5480

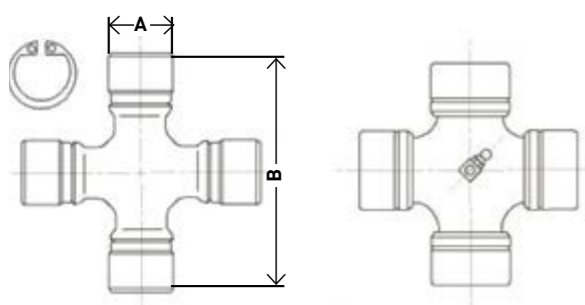
TUBE YOKE



PART NUMBER	Fig.	JSD	Lt	βmax	Ø Ts	REFERENCE
TY.148.00.-101/92x5	1	148	101	30°	92,5	MB A3854113805
TY.148.00.-80/100x4	1	148	80	25°	100x4	

X. 158 SERIES | 47,6 X 135,2

UNIVERSAL JOINT



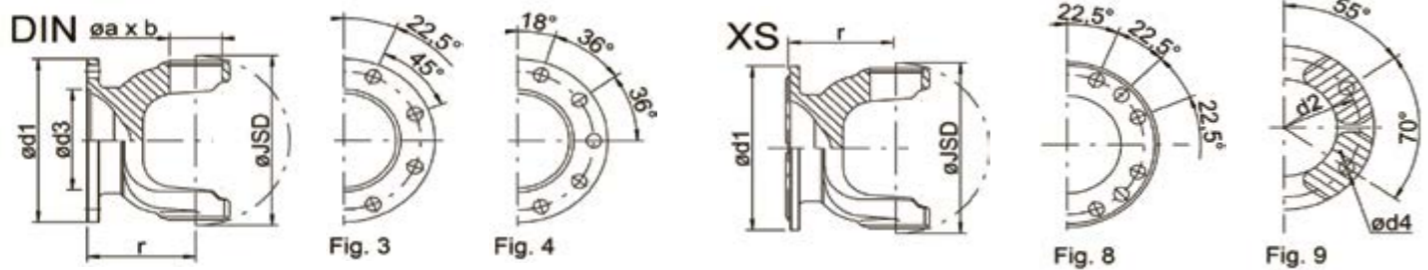
SICIT PART NUMBER	2660
DIAMETER [D]	47,64
LENGHT [L]	135,2
LUBRIFICATION	Central with grease nipple
REFERENCE	GWB 687.40 SPICER 1610 GKN U965 DAF 1250299, 1291683 IVECO 93160516, 93191198, 93192881, 94350918, 42533783 RENAULT TRUCKS 5000816506, 5001836379 SCANIA 488912

ENGINEERING DATA



TMAX	[maximum static torque capacity, based on material strength]	Nm	9000
TFAT	[reversing, dynamic torque capacity, based on material strength]	Nm	4400
ULT	[U.-Joint life torque capacity, based on the bearing data]	Nm	2890
JSD	[over all swing diameter across the U.-Joint]	mm	158
β	[standard deflection angle, which may vary depending on design]	deg	30
TUBE		from	100
		to	120
LC MAX	[Maximum compressed length]	mm	575
Ls max	Ls max [Maximum length compensation]	mm	110

FLANGE YOKES



PART NUMBER	DESCRIPTION	Fig.	JSD	d1	d2	d3	n x d4	r	βmax	REFERENCE
FY.158.00.121-93,5	DIN 180/8-14 r93,5 30° spigot Ø 110	3	158	180	155,5	110	8x14,2	93,5	30°	
FY.158.00.123-90	DIN 180/10-16 r90 30° spigot Ø 110	4	158	180	155,5	110	10 x 16,2	90	30°	
FY.158.00.215-90	SAE 203,2/12-11 r90 30° spigot Ø 184,15	8	158	203,2	196,82	184,15	12 x 11,1	90	30°	
FY.158.00.604-82	XS150/4-13 r82 30°	9	158	150	130	-	4 x 13,2	82	30°	
FY.158.00.604-102	XS150/4-13 r100 35°	9	158	150	130	-	4 x 13,2	102	35°	
FY.158.00.606-82	XS180/4-15 r82 30°	9	158	180	150	-	4 x 15,2	82	30°	

SLIP YOKE ASSY

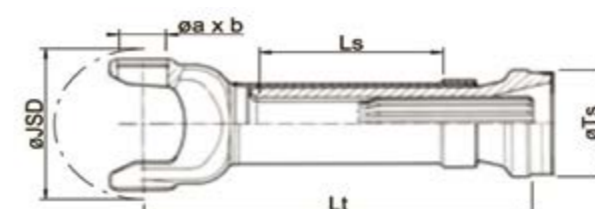


Fig.1 Yoke Shaft Design with cover tube

PART NUMBER	DESCRIPTION	Fig.	JSD	Lt	Ls	βmax	Ø Ts	Spline
SY.158.00.11.110-255/120x4	255/110 120x4 30° 62x1,75x34 DIN5480	1	158	255	110	30°	120x4	62x1,75x34 DIN5480
SY.158.00.11.110-255/120x3	255/110 120x3 30° 62x1,75x34 DIN5480	1	158	255	110	30°	120x3	62x1,75x34 DIN5480
SY.158.00.11.110-261/100x4	261/110 100x4 30° 62x1,75x34 DIN5480	1	158	261	110	30°	100x4	62x1,75x34 DIN5480
SY.158.00.11.110-327/100x4,5	327/110 100x4,5 30° 62x1,75x34 DIN5480	1	158	327	110	30°	100x4,5	62x1,75x34 DIN5480
SY.158.00.11.110-270/120x4	270/110 120x4 30° 62x1,75x34 DIN5480	1	158	270	110	30°	120x4	62x1,75x34 DIN5480
SY.158.00.11.110-270/120x3	270/110 120x3 30° 62x1,75x34 DIN5480	1	158	270	110	30°	120x3	62x1,75x34 DIN5480
SY.158.00.11.180-347,5/100x4	347/180 100x4 30° 62x1,75x34 DIN5481	1	158	347	180	30°	100x4	62x1,75x34 DIN5481
SY.158.00.11.180-347,5/100x4,5	347,5/110 100x4,5 44° 62x1,75x34 DIN5480	1	158	347,5	110	44°	100x4,5	62x1,75x34 DIN5480

TUBE YOKE

PART NUMBER	Fig.	JSD	Lt	βmax	Ø Ts	REFERENCE
TY.158.00.-100/100x4	1	158	100	35°	100X4	
TY.158.00.-87/120x3	1	158	87	30°	120X3	
TY.158.00.-100/100x4,5	1	158	100	44°	100X4,5	

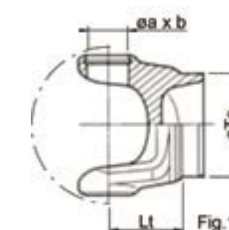


Fig.1

SHORT COUPLING ASSEMBLY

PART NUMBER	Fig.	JSD	Lt	Ls	βmax	Spline
SCA.158.00.11.110-360	1	158	360	110	30°	62x1,75x34 DIN5480
SCA.158.00.11.150-476	1	158	476	150	30°	62x1,75x34 DIN5480
SCA.158.00.11.65-247	1	158	247	65	30°	62x1,75x34 DIN5480
SCA.158.00.11.70-311	1	158	311	70	30°	62x1,75x34 DIN5480
SCA.158.00.11.110-395	1	158	395	110	30°	62x1,75x34 DIN5480

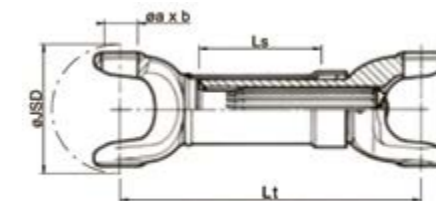
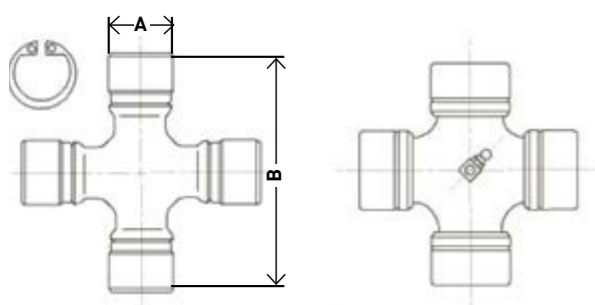


Fig. 1 Yoke Shaft Design

X. 158A SERIES | 52 X 133

UNIVERSAL JOINT



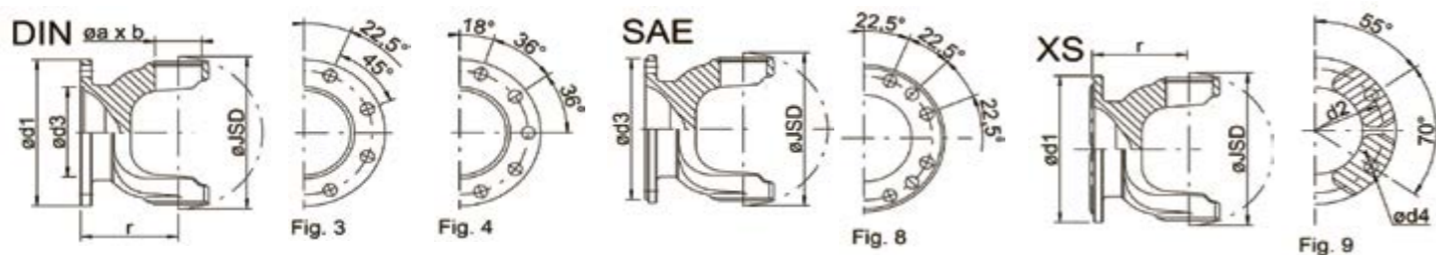
SICIT PART NUMBER	1560
DIAMETER [D]	52
LENGHT [L]	133
LUBRIFICATION	Central with grease nipple
REFERENCE	GWB 587.30 GKN U756 IVECO 002969532, 002984515, 008198583, 02969532, 02984515, 08198583, 2969532, 2984515, 42493397, 8198583, 93192751 MERCEDES-BENZ 0004100531, 3354100031 DAF 264354 RENAULT 0003397100, 5000242009 VOLVO 232362

ENGINEERING DATA



TMAX	[maximum static torque capacity, based on material strength]	Nm	10200
TFAT	[reversing, dynamic torque capacity, based on material strength]	Nm	5800
ULT	[U.-Joint life torque capacity, based on the bearing data]	Nm	3240
JSD	[over all swing diameter across the U.-Joint]	mm	158
β	[standard deflection angle, which may vary depending on design]	deg	35
TUBE		from	92
		to	100
LC MAX	[Maximum compressed length]	mm	580
Ls max	Ls max [Maximum length compensation]	mm	150

FLANGE YOKES



PART NUMBER	DESCRIPTION	Fig.	JSD	d1	d2	d3	n x d4	r	βmax	REFERENCE
FY.158A.00.115-90	DIN 150/8-12 r75 25° spigot Ø 90	3	158	150	130	90	8 x 12,2	90	35°	
FY.158A.00.119-87	DIN 165/8-16 r85,5 30° spigot Ø 95	3	158	165	140	95	8 x 16,2	87	30°	
FY.158A.00.121-90	DIN 180/8-14 r90 30° spigot Ø 110	3	158	180	155,5	110	8 x 14,2	90	30°	
FY.158A.00.123-92	DIN 180/10-16 r92 30° spigot Ø 110	4	158	180	155,5	110	10x16,2	92	30°	
FY.158A.00.215-93	SAE 203,3/12-11,2 r93 25° spigot Ø 196,8	8	158	203,2	184,1	196,8	12x11,2	93	25°	
FY.158A.00.215-78	SAE 203,3/12-11,2 r78 25° spigot Ø 196,8	8	158	203,2	184,1	196,8	12 x 11,2	78	25°	
FY.158A.00.604-85	XS150/4-13 r85 30°	9	158	150	130	-	4 x 13,2	85	30°	
FY.158A.00.604-90	XS150/4-13 r90 30°	9	158	150	130	-	4 x 13,2	90	30°	
FY.158A.00.606-92,5	XS180/4-15 r92,5 30°	9	158	180	150	-	4 x 15,2	92,5	30°	

SLIP YOKE ASSY

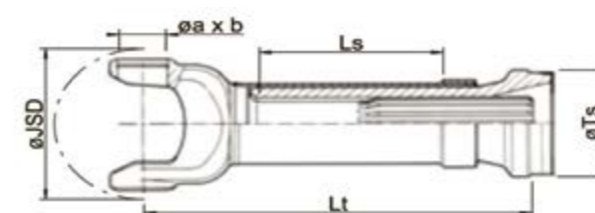


Fig.1 Yoke Shaft Design with cover tube

PART NUMBER	DESCRIPTION	Fig.	JSD	Lt	Ls	βmax	Ø Ts	Spline
SY.158A.00.11.150-363/100x5	363/150 100x5 44° 65x2,5x24 DIN5480	1	158	363	150	44°	100x5	72x2,5x27 DIN5480
SY.158A.00.11.130-330/92x5	330/130 92x5 44° 65x2,5x24 DIN5480	1	158	330	130	44°	92x5	65x2,5x24 DIN5480

TUBE YOKE

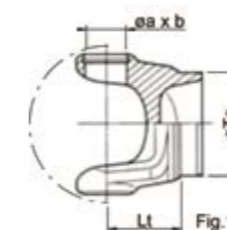


Fig.1

PART NUMBER	Fig.	JSD	Lt	βmax	Ø Ts	REFERENCE
TY.158A.00.-116/100x5	1	158	116	44°	100x5	
TY.158A.00.-100/92x5	1	158	100	35°	92x5	

MID SHIP ASSY

PART NUMBER
MSA.158A.58730.001
MSA.158A.58730.002
MSA.158A.58730.003

SHORT COUPLING ASSEMBLY

PART NUMBER	Fig.	JSD	Lt	Ls	βmax	Spline
SCA.158A.00.11.150-499	4	158	499	150	30°	65x2,5x24 DIN5480
SCA.158A.00.11.110-452	4	158	452	110	30°	65x2,5x24 DIN5480

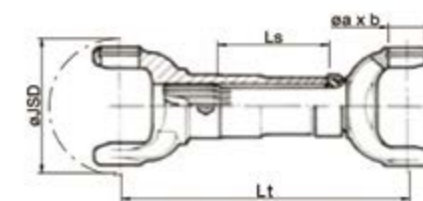
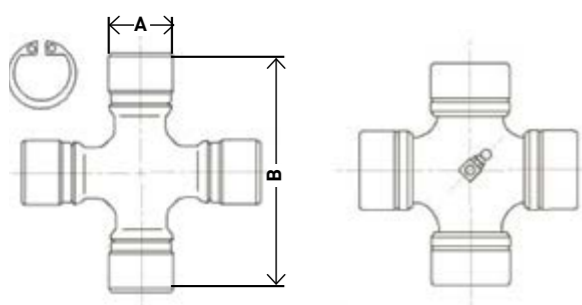


Fig. 4 Sleeve Yoke Design

X. 158B SERIES | 53 X 135

UNIVERSAL JOINT



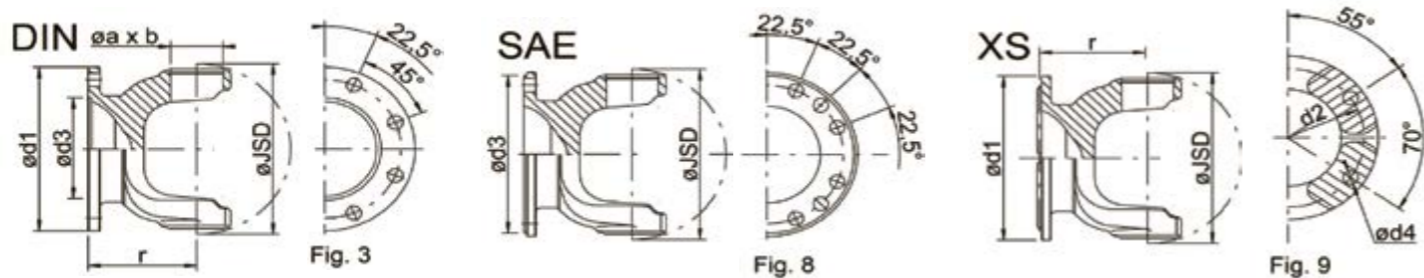
SICIT PART NUMBER	1600
DIAMETER [D]	53
LENGHT [L]	135
LUBRIFICATION	Central with grease nipple
REFERENCE	GKN U993 MERCEDES-BENZ 0004100231, 0004101628, 3434100631, 3634100031, 3634100631, 6204100131, 9424100131

ENGINEERING DATA



TMAX	[maximum static torque capacity, based on material strength]	Nm	10200
TFAT	[reversing, dynamic torque capacity, based on material strength]	Nm	5800
ULT	[U.-Joint life torque capacity, based on the bearing data]	Nm	3240
JSD	[over all swing diameter across the U.-Joint]	mm	158
β	[standard deflection angle, which may vary depending on design]	deg	35
TUBE		from	92
		to	100
LC MAX	[Maximum compressed length]	mm	580
Ls max	Ls max [Maximum length compensation]	mm	150

FLANGE YOKES



PART NUMBER	DESCRIPTION	Fig.	JSD	d1	d2	d3	n x d4	r	βmax	REFERENCE
FY.158B.00.121-90	DIN 180/8-14 r90 30° spigot Ø 110	3	158	180	155,5	110	8 x 14,2	90	30°	
FY.158B.00.604-85	XS150/4-13 r85 30°	9	158	150	130	-	4 x 13,2	85	30°	MB A6544110311
FY.158B.00.605-97	XS165/4-13 r97 35°	9	158	165	140	-	4 x 13,2	97	35°	MB A6544110511
FY.158B.00.606-92,5	XS180/4-15 r92,5 30°	9	158	180	150	-	4 x 15,2	92,5	30°	

SLIP YOKE ASSY

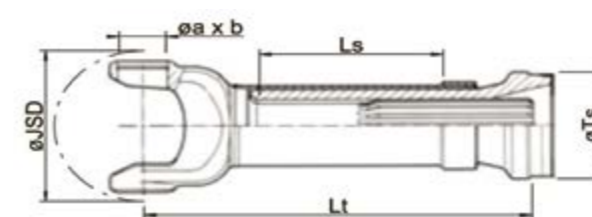


Fig.1 Yoke Shaft Design with cover tube

PART NUMBER	DESCRIPTION	Fig.	JSD	Lt	Ls	βmax	Ø Ts	Spline
SY.158B.00.11.110-330/92x5	330/110 92x5 30° 65x2,5x24 DIN5480	1	158	330	110	30°	92x5	65x2,5x24 DIN5480
SY.158B.00.11.110-330/92x6,5	330/110 92x6,5 30° 65x2,5x24 DIN5480	1	158	330	110	30°	92x6,5	65x2,5x24 DIN5480
SY.158B.00.11.150-373/100x5	373/150 100x5 30° 72x2,5x27 DIN5480	1	158	373	150	30°	100x5	72x2,5x27 DIN5480
SY.158B.00.11.150-363/100x5	363/150 100x5 44° 72x2,5x27 DIN5480	1	158	363	150	44°	100x5	72x2,5x27 DIN5480

TUBE YOKE

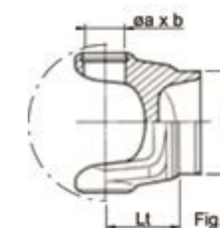
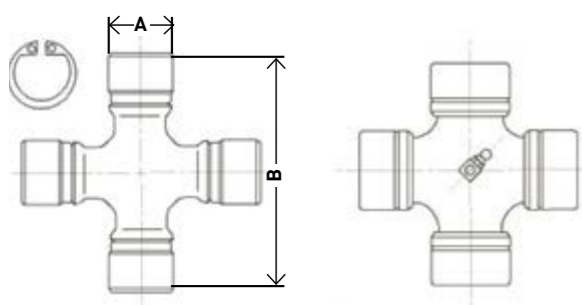


Fig.1

PART NUMBER	Fig.	JSD	Lt	βmax	Ø Ts	REFERENCE
TY.158B.00.-116,0/100x5	1	158	116	35°	100x5	MB A3894111105

X. 170 SERIES | 57 X 144

UNIVERSAL JOINT



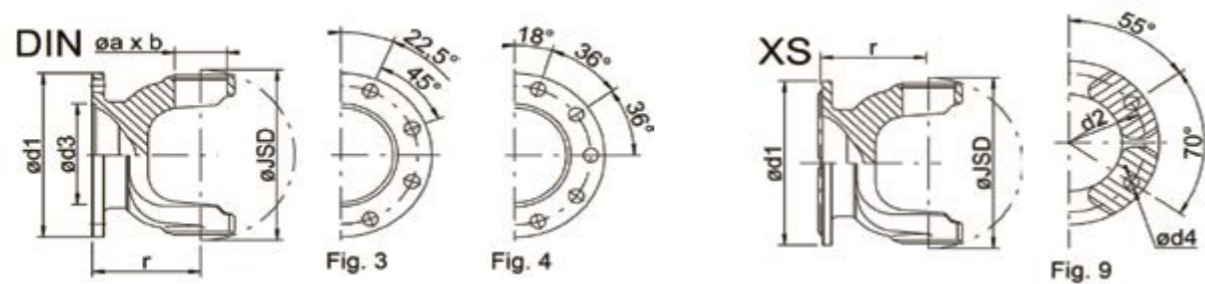
SICIT PART NUMBER	1720
DIAMETER [D]	57
LENGTH [L]	144
LUBRIFICATION	Central with grease nipple
REFERENCE	GWB 587.35 GKN U813 DAF 505698, 689962 IVECO 02980217, 093190028, 2980217, 42491973, 93190028 RENAULT 5000559743, 5000815148 VOLVO 232363, 232540

ENGINEERING DATA



TMAX	[maximum static torque capacity, based on material strength]	Nm	10200
TFAT	[reversing, dynamic torque capacity, based on material strength]	Nm	5900
ULT	[U.-Joint life torque capacity, based on the bearing data]	Nm	3350
JSD	[over all swing diameter across the U.-Joint]	mm	170
β	[standard deflection angle, which may vary depending on design]	deg	35
TUBE		from	100
		to	110
LC MAX	[Maximum compressed length]	mm	580
Ls max	Ls max [Maximum length compensation]	mm	110

FLANGE YOKES



PART NUMBER	DESCRIPTION	Fig.	JSD	d1	d2	d3	n x d4	r	βmax	REFERENCE
FY.170.00.121-100	DIN 180/8-14 r110 35° spigot Ø 110	3	170	180	155,5	110	8 x 14,2	100	35°	
FY.170.00.122-100	DIN 180/8-16 r100 44° spigot Ø 110	3	170	180	155,5	110	8 x 16,2	100	44°	
FY.170.00.123-100	DIN 180/10-16 r100 44° spigot Ø 110	4	170	180	155,5	110	10 x 16,2	100	44°	

SLIP YOKE ASSY

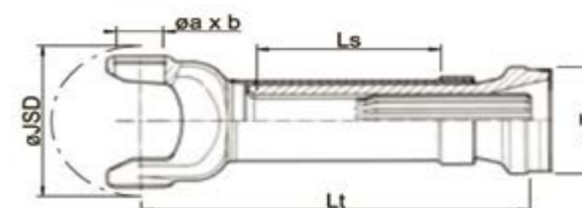


Fig.1 Yoke Shaft Design with cover tube

PART NUMBER	DESCRIPTION	Fig.	JSD	Lt	Ls	βmax	Ø Ts	Spline
SY.170.00.11.110-338/110x6	338/110 110x6 35° 75x2,5x28 DIN5480	1	170	338	110	35°	110x6	75x2,5x28 DIN5480
SY.170.00.11.110-338/100x6	338/110 100x6 35° 75x2,5x28 DIN5480	1	170	338	110	35°	100x6	75x2,5x28 DIN548
SY.170.00.11.110-338/100x5	338/110 100x5 35° 75x2,5x28 DIN5480	1	170	338	110	35°	100x5	75x2,5x28 DIN5480
SY.170.00.11.110-338/104x3	338/110 104x3 35° 75x2,5x28 DIN 5480	1	170	338	110	35°	104x3	75x2,5x28 DIN5480

TUBE YOKE

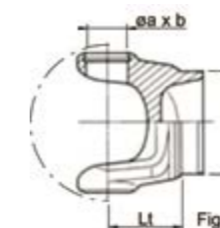


Fig.1

PART NUMBER	Fig.	JSD	Lt	βmax	Ø Ts	REFERENCE
TY.170.00.-103/110x6	1	170	103	35°	110x6	
TY.170.00.-103/100x6	1	170	103	35°	100x6	
TY.170.00.-103/100x5	1	170	103	35°	100x5	

MID SHIP ASSY

PART NUMBER
MSA.170.58735.001
MSA.170.58735.002
MSA.170.58735.003
MSA.170.58735.004

SHORT COUPLING ASSEMBLY

PART NUMBER	Fig.	JSD	Lt	Ls	βmax	Spline
SCA.170.00.11.110-465	4	170	465	110	35°	75x2,5x28 DIN5480

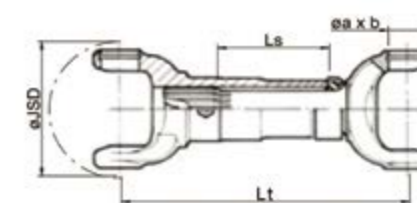
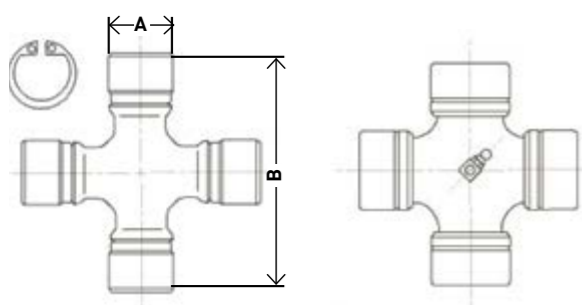


Fig. 4 Sleeve Yoke Design

X. 172 SERIES | 52 X 147,2

UNIVERSAL JOINT



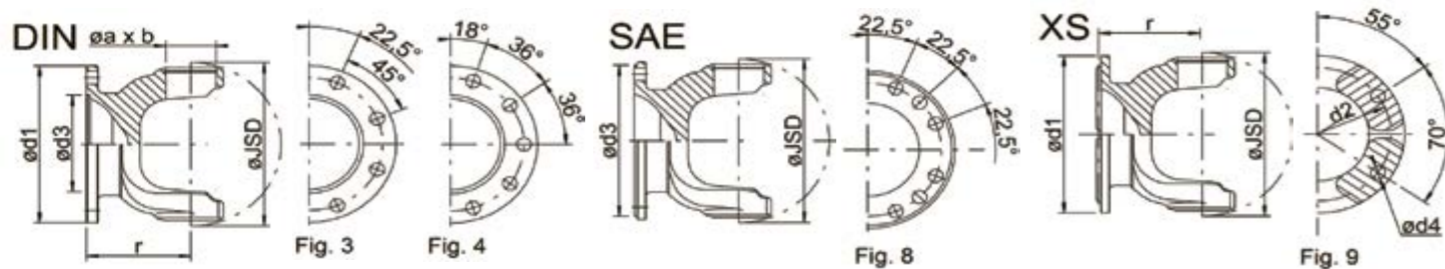
SICIT PART NUMBER	2700
DIAMETER [D]	52
LENGHT [L]	147,2
LUBRIFICATION	Central with grease nipple
REFERENCE	GWB 687.45 GKN U909 DAF 1250300, 1288226, 1608402 IVECO 42533410, 93192012, 93192882 RENAULT 7401068247 VOLVO 1068247, 1651164, 1651247, 276336

ENGINEERING DATA



TMAX	[maximum static torque capacity, based on material strength]	Nm	12000
TFAT	[reversing, dynamic torque capacity, based on material strength]	Nm	5100
ULT	[U.-Joint life torque capacity, based on the bearing data]	Nm	3740
JSD	[over all swing diameter across the U.-Joint]	mm	172
β	[standard deflection angle, which may vary depending on design]	deg	25
TUBE		from	110
		to	120
LC MAX	[Maximum compressed length]	mm	580
Ls max	Ls max [Maximum length compensation]	mm	150

FLANGE YOKES



PART NUMBER	DESCRIPTION	Fig.	JSD	d1	d2	d3	n x d4	r	βmax	REFERENCE
FY.172.00.119-112	DIN 165/8-16 r112 44° spigot Ø 95	3	172	165	140	95	8 x 16,2	112	44°	
FY.172.00.121-100	DIN 180/8-14 r100 30° spigot Ø 110	3	172	180	155,5	110	8x14,2	100	30°	
FY.172.00.123-100	DIN 180/10-16 r100 25° spigot Ø 110	4	172	180	155,5	110	10 x 16,2	100	25°	
FY.172.00.126-104	DIN 225/8-16 r104 25° spigot Ø 140	3	172	225	196	140	8 x 16,2	104	25°	
FY.172.00.604-87	XS150/4-13 r87 30°	9	172	150	130	-	4 x 13	87	30°	
FY.172.00.604-100	XS150/4-13 r100 37°	9	172	150	130	-	4 x 13	100	37°	
FY.172.00.606-87	XS180/4-15 r87 30°	9	172	180	150	-	4 x 15,2	87	30°	
FY.172.00.606-108	XS 180/4-15 r108 30°	9	172	180	150	/	4x15,2	108	30°	

SLIP YOKE ASSY

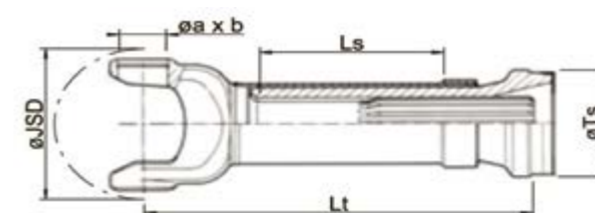
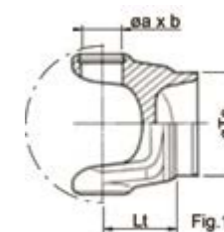


Fig.1 Yoke Shaft Design with cover tube

PART NUMBER	DESCRIPTION	Fig.	JSD	Lt	Ls	βmax	Ø Ts	Spline
SY.172.00.11.110-265/120x4	265/110 120x4 35° 68x1,75x38 DIN5480	1	172	265	110	35°	120x4	68x1,75x38 DIN5480
SY.172.00.11.160-360/120x4	360/160 120x4 35° 68x1,75x38 DIN5480	1	172	360	160	35°	120x4	68x1,75x38 DIN5480
SY.172.00.11.180-373/120x4	373/180 120x4 35° 68x1,75x38 DIN5480	1	172	373	180	35°	120x4	68x1,75x38 DIN5481

TUBE YOKE

PART NUMBER	Fig.	JSD	Lt	βmax	Ø Ts	REFERENCE
TY.172.00.-95/120x4	1	172	95	27°	120x4	
TY.172.00.-90/120x4	1	172	90	30°	120x4	
TY.172.00.-108/110x5	1	172	108	44°	110x5	



MID SHIP ASSY

PART NUMBER
MSA.172.68745.001
MSA.172.68745.002

SHORT COUPLING ASSEMBLY

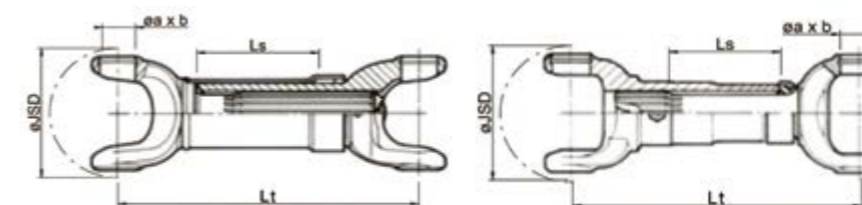


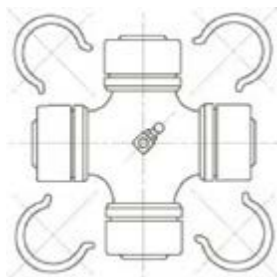
Fig. 1 Yoke Shaft Design

Fig. 4 Sleeve Yoke Design

PART NUMBER	Fig.	JSD	Lt	Ls	βmax	Spline
SCA.172.00.11.80-385	1	172	385	80	35°	68x1,75x38 DIN5480
SCA.172.00.11.60-308,5	4	172	308,5	60	35°	68x1,75x38 DIN5480
SCA.172.00.11.70-345	1	172	345	70	35°	68x1,75x38 DIN5480
SCA.172.00.11.160-475	1	172	475	160	35°	68x1,75x38 DIN5480

X. 178 SERIES | 57 X 152

UNIVERSAL JOINT



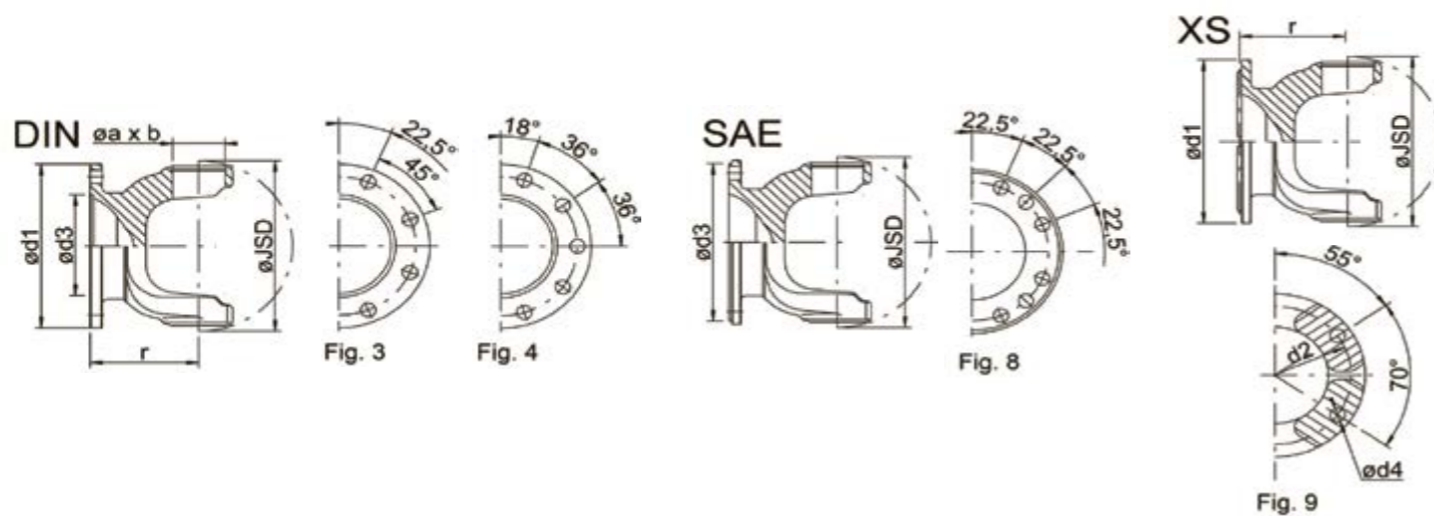
SICIT PART NUMBER	1620
DIAMETER [D]	57
LENGHT [L]	152
LUBRIFICATION	Central with grease nipple
REFERENCE	GWB 687.55 / 587.42 GKN U763 MERCEDES-BENZ 0004100131, 3874100031, 6204100031, 9404100031, A0004100131, A3874100031, A6204100031, A9404100031 IVECO 42533784S, 93192966S DAF 1235571S, 1288229S, 3874100031 VOLVO 1068250S, 1651229S RENAULT 7401068250

ENGINEERING DATA

TMAX	[maximum static torque capacity, based on material strength]	Nm	24600
TFAT	[reversing, dynamic torque capacity, based on material strength]	Nm	9450
ULT	[U.-Joint life torque capacity, based on the bearing data]	Nm	4600
JSD	[over all swing diameter across the U.-Joint]	mm	178
β	[standard deflection angle, which may vary depending on design]	deg	25
TUBE		from	110
		to	120
LC MAX	[Maximum compressed length]	mm	620
Ls max	Ls max [Maximum length compensation]	mm	110



FLANGE YOKES



PART NUMBER	DESCRIPTION	Fig.	JSD	d1	d2	d3	n x d4	r	βmax	REFERENCE
FY.178.00.121-95	DIN 180/8-14 r95 25° spigot Ø 110	3	178	180	155,5	110	8 x 14,2	95	25°	
FY.178.00.123-95	DIN 180/10-16 r95 25° spigot Ø 110	4	178	180	155,5	110	10 x 16,2	95	25°	
FY.178.00.126-95	DIN 225/8-16 r95 25° spigot Ø 140	3	178	225	196	140	8 x 16,2	95	25°	
FY.178.00.215-95	SAE 203,2/12-11 r95 25° spigot Ø 184,1	8	178	203,2	196,8	184,1	12 x 11,2	95	25°	
FY.178.00.606-92	XS180/4-15 r92 30°	9	178	180	150	-	4 x 15,2	92	30°	

SLIP YOKE ASSY

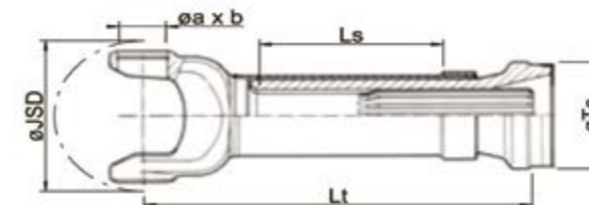
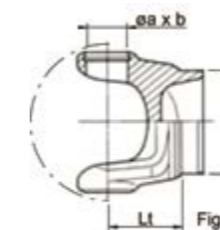


Fig.1 Yoke Shaft Design with cover tube

PART NUMBER	DESCRIPTION	Fig.	JSD	Lt	Ls	βmax	Ø Ts	Spline
SY.178.00.11.100-287/120x6	287/100 120x6 25° 78x2,0x78 DIN5480	1	178	287	100	25°	120x6	78x2,0x38-DIN5480
SY.178.00.11.100-287/120x4	287/100 120x4 25° 78x2,0x78 DIN5480	1	178	287	100	25°	120x4	78x2,0x38-DIN5480
SY.178.00.11.100-287/110x6	287/100 110x6 25° 78x2,0x78 DIN5480	1	178	287	100	25°	110x6	78x2,0x38-DIN5480
SY.178.00.11.160-370/140x5	370/160 140x5 25° 78x2,0x78 DIN5481	1	178	370	160	26°	140x5	78x2,0x38-DIN5481
SY.178.00.11.180-400/120x6	400/180 120x6 25° 80x2,5x30 DIN5480	1	178	400	180	25°	120x6	80x2,5x30 DIN5480

TUBE YOKE



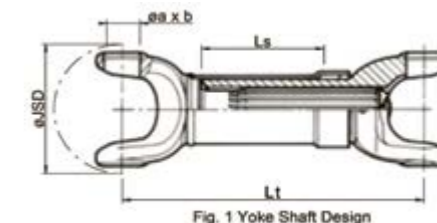
PART NUMBER	Fig.	JSD	Lt	βmax	Ø Ts	REFERENCE
TY.178.00.-100/120x6	1	178	100	30°	120x6	
TY.178.00.-105/110x6	1	178	105	30°	110x6	
TY.178.00.-100/120x4	1	178	100	30°	120x4	

MID SHIP ASSY

PART NUMBER
MSA.178.68755.001
MSA.178.68755.002

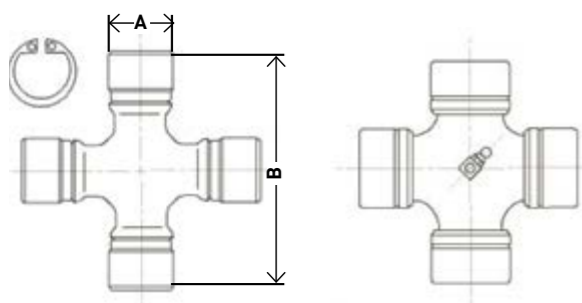
SHORT COUPLING ASSEMBLY

PART NUMBER	Fig.	JSD	Lt	Ls	βmax	Spline
SCA.178.00.11.47-286	1	178	286	47	35°	78x2,0x38-DIN5480
SCA.178.00.11.100-418	1	178	418	100	35°	78x2,0x38-DIN5480



X. 178B SERIES | 68 X 89

UNIVERSAL JOINT



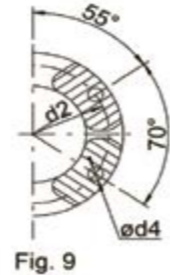
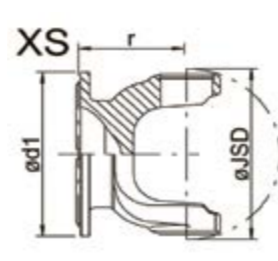
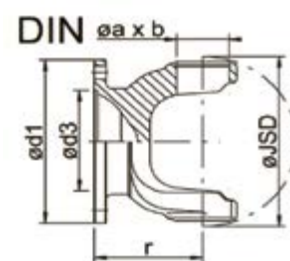
SICIT PART NUMBER	1660
DIAMETER [D]	68
LENGHT [L]	89 - Internal locking
LUBRIFICATION	Central with grease nipple
REFERENCE	GKN U462 MERCEDES-BENZ, ACTROS 6564100131, 9424100031

ENGINEERING DATA



TMAX	[maximum static torque capacity, based on material strength]	Nm	17000
TFAT	[reversing, dynamic torque capacity, based on material strength]	Nm	8500
ULT	[U.-Joint life torque capacity, based on the bearing data]	Nm	4600
JSD	[over all swing diameter across the U.-Joint]	mm	178
β	[standard deflection angle, which may vary depending on design]	deg	25
TUBE		from	110
		to	140
LC MAX	[Maximum compressed length]	mm	620
Ls max	Ls max [Maximum length compensation]	mm	110

FLANGE YOKES



PART NUMBER	DESCRIPTION	Fig.	JSD	d1	d2	d3	n x d4	r	βmax	REFERENCE
FY.178B.10.123-120	DIN 180/10-16 r120 25° spigot Ø 110	4	178	180	155,5	110	10 x 16,2	120	25°	
FY.178B.10.606-100	XS180/4-15 r100 25°	9	178	180	150	-	4 x 15,2	100	25°	MB A6564110311

SLIP YOKE ASSY

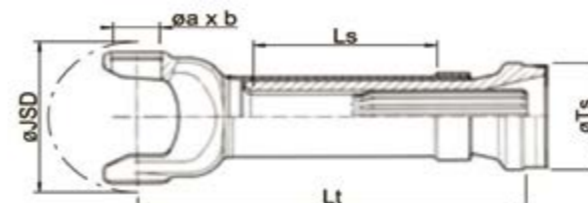


Fig.1 Yoke Shaft Design with cover tube

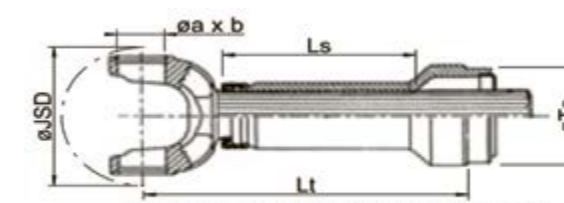


Fig.3 Yoke Shaft Design w/o cover tube

PART NUMBER	DESCRIPTION	Fig.	JSD	Lt	Ls	βmax	Ø Ts	Spline
SY.178B.10.31.110-349/140X5	348/110 110X6 22° 80x2,5x30 DIN5480	3	178	348	110	22°	110x6	80x2,5x30 DIN5480
SY.178B.10.31.110-370/110X5	370/110 140X5 22° 80x2,5x30 DIN5480	3	178	370	110	22°	140x5	80x2,5x30 DIN5480

TUBE YOKE

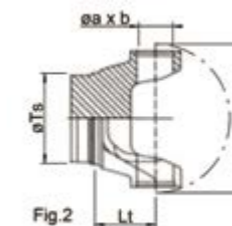
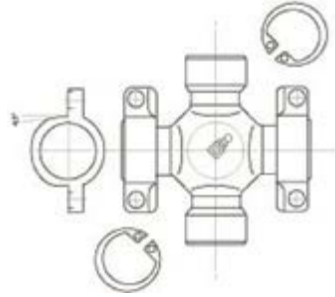


Fig.2

PART NUMBER	Fig.	JSD	Lt	βmax	Ø Ts	REFERENCE
TY.178B.10.-126/110x6	2	178	126	22°	110x6	
TY.178B.10.-145/140x5	2	178	145	22°	140x5	

X. 182 SERIES | 48 X 161

UNIVERSAL JOINT



SICIT PART NUMBER	1830/C
DIAMETER [D]	48
LENGHT [L]	161
LUBRIFICATION	Central with grease nipple
REFERENCE	SCANIA P400 1879538-365901

SLIP YOKE ASSY

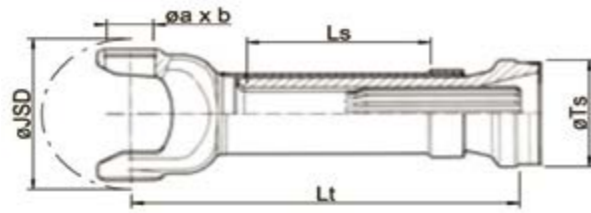
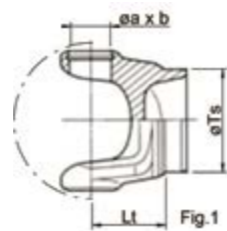


Fig.1 Yoke Shaft Design with cover tube

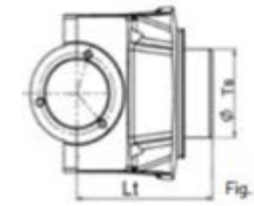
PART NUMBER	DESCRIPTION	Fig.	JSD	Lt	Ls	β_{max}	$\emptyset Ts$	Spline	REFERENCE
SY.182.00.11.110-310/100x6	310/110 100X6 25° 80x2,5x30 DIN5480	1	182	310	110	25°	100x6	80x2,5x30 DIN5480	
SY.182.00.11.110-310/100x5	310/110 100X5 25° 80x2,5x30 DIN5480	1	182	310	110	25°	100x5	80x2,5x30 DIN5480	1857608 1465447 1758307
SY.182.00.11.196-305/100x4,5	305/100x4,5 25° 80x2,5x30 DIN5480	1	182	310	110	25°	100x4,5	80x2,5x30 DIN5480	

TUBE YOKE



PART NUMBER	Fig.	JSD	Lt	β_{max}	$\emptyset Ts$	REFERENCE
TY.182.00.-112/100x6	1	182	112		100x6	
TY.182.00.-112/100x5	1	182	112		100x5	1315840
TY.182.00.-94/100x4,5	1	182	94		100 x 4,5	
TY.182.00.-82/100x6	1	182	82		100 x 6	
TY.182.00.-82/100x5	1	182	82		100 x 5	

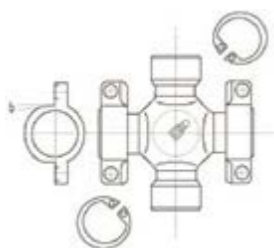
END YOKE



PART NUMBER	Fig.	JSD	Lt	β_{max}	$\emptyset Ts$	REFERENCE
EY.182.113,5/85X132	A	182	113,5		85	

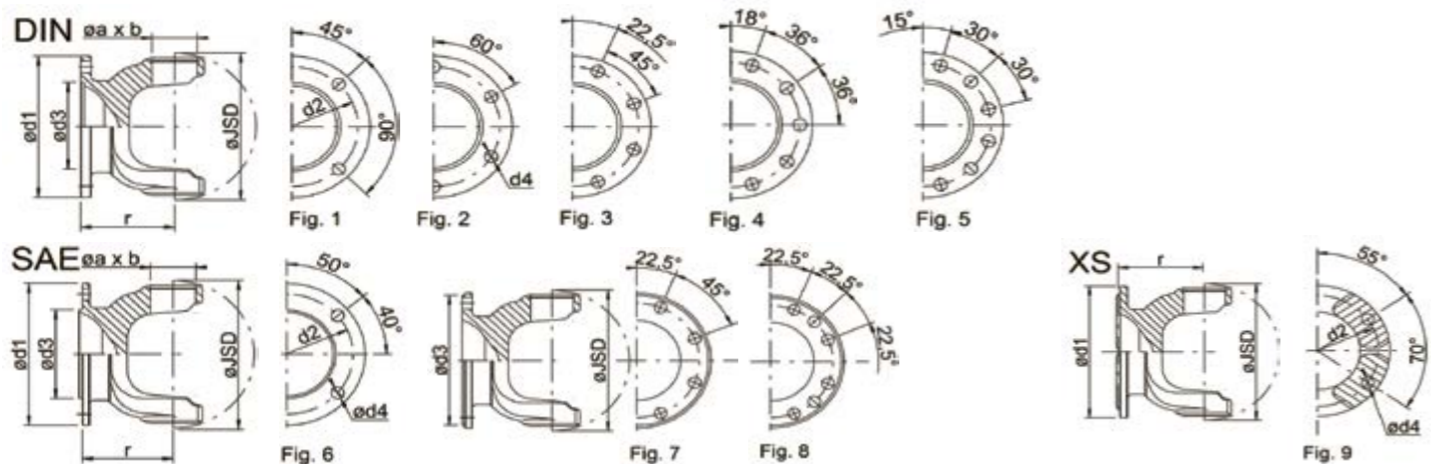
X. 186 SERIES | 57 X 164

UNIVERSAL JOINT



SICIT PART NUMBER	1850/C
DIAMETER [D]	57
LENGHT [L]	164
LUBRIFICATION	Central with grease nipple
REFERENCE	SCANIA P500 1879540, 1797425-390225

FLANGE YOKES



PART NUMBER	DESCRIPTION	Fig.	JSD	d1	d2	d3	n x d4	r	β_{max}	REFERENCE
FY.186.00.606.101.5	XS180/4-15 r101,5	9	186	180	150	-	4 X 15,2	101,5	25°	

SLIP YOKE ASSY

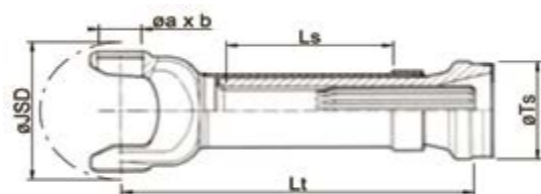


Fig.1 Yoke Shaft Design with cover tube

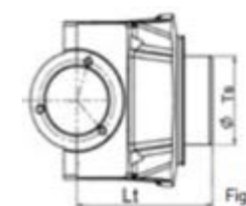
PART NUMBER	DESCRIPTION	Fig.	JSD	Lt	Ls	β_{max}	$\varnothing Ts$	Spline
SY.186.00.11.110-310/110x6	310/110 110X6 25° 80x2,5x30 DIN5480	1	186	310	110	25°	110x6	80x2,5x30 DIN5480
SY.186.00.11.110-310/110x5	310/110 110X5 25° 80x2,5x30 DIN5480	1	186	310	110	25°	110x5	80x2,5x30 DIN5480
SY.186.00.11.110-310/108x5,5	310/110 108,5x5,5 25° 80x2,5x30 DIN 5480	1	186	310	110	25°	108X5,5	80x2,5x30 DIN 5480
SY.186.00.11.251,5-304/108,5x5,5	304/251,5 108,5x5,5 25° 80x2,5x30 DIN 5480	1	186	304	251,5	25°	108,5 x 5,5	80x2,5x30 DIN 5480
SY.186.00.11.282-362/96,5x5	362/282 96,5X5 25° 80X2,5X30 DIN 5480	1	186	362	282	25°	96,5 x 5	80x2,5x30 DIN 5480
SY.186.00.11.110-313,5/110X5,5	313,5/110110x5,5 25° 80x2,5x30 DIN 5480	1	186	313,5	110	25°	110X5,5	80x2,5x30 DIN 5480
SY.186.00.11.160-310/108X5,5	313,5/110110x5,5 25° 80x2,5x30 DIN 5481	1	186	310	160	26°	108X5,5	80x2,5x30 DIN 5481

TUBE YOKE



PART NUMBER	Fig.	JSD	Lt	β_{max}	$\varnothing Ts$	REFERENCE
TY.186.00.-120/110x5	1	186	120		110x5	
TY.186.00.-120/108x5,5	1	186	120		108X5,5	
TY.186.00.-90/110x6	1	186	90		110x6	
TY.186.00.-140/108X5,5	1	186	140		108x5,5	
TY.186.00.-93/96,5X5,5	1	186	93		96,5 X 5,5	

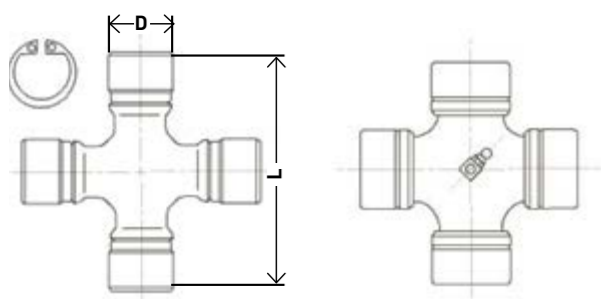
END YOKE



PART NUMBER	Fig.	JSD	Lt	β_{max}	$\varnothing Ts$	REFERENCE
EY.186.113,5/95X126	A	186	113,5		95	
EY.186.134/95X127	A	186	134		95	
EY.186.132/95X126	A	186	132		95	

X. 190 SERIES | 59 X 167,70

UNIVERSAL JOINT



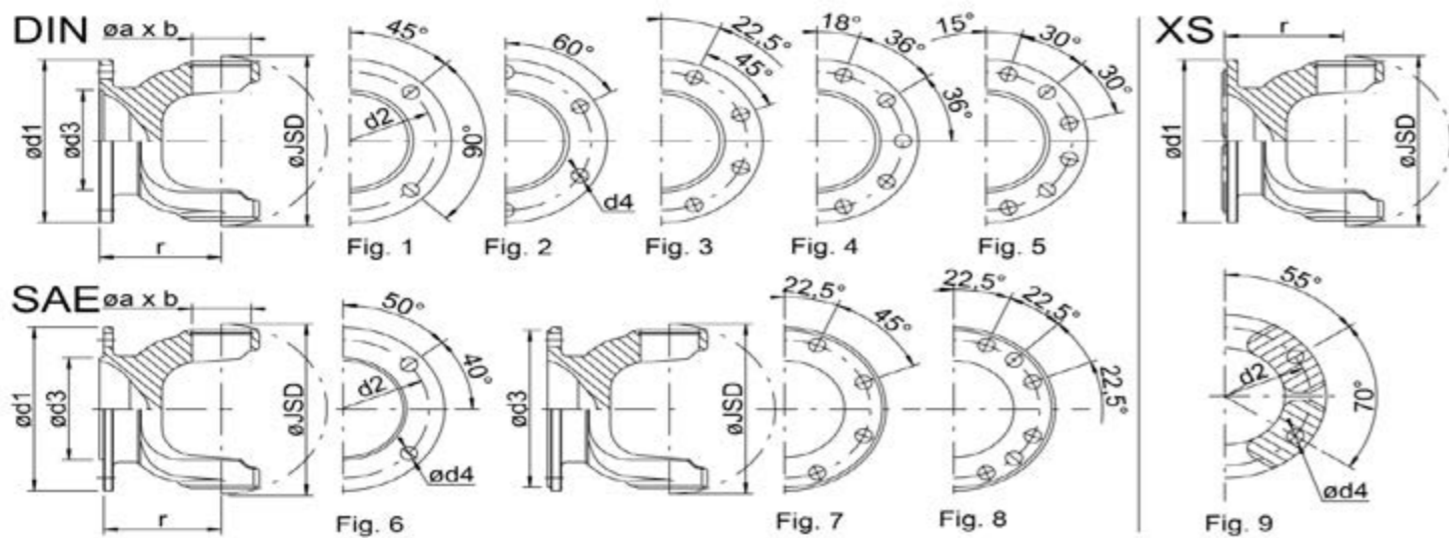
SICIT PART NUMBER	2540
DIAMETER [D]	59
LENGTH [L]	167,7
LUBRIFICATION	Central with grease nipple
REFERENCE	GWB 687.60 - 20.60 SPICER 1800 VOLVO 1068253 VOLVO FH420

ENGINEERING DATA



TMAX	[maximum static torque capacity, based on material strength]	Nm	25540
TFAT	[reversing, dynamic torque capacity, based on material strength]	Nm	12770
ULT	[U.-Joint life torque capacity, based on the bearing data]	Nm	
JSD	[over all swing diameter across the U.-Joint]	mm	
β	[standard deflection angle, which may vary depending on design]	deg	
TUBE		from	
		to	
LC MAX	[Maximum compressed length]	mm	
Ls max	Ls max [Maximum length compensation]	mm	

FLANGE YOKES



PART NUMBER	DESCRIPTION	Fig.	JSD	d1	d2	d3	n x d4	r	βmax	REFERENCE
FY.190.00.215.92	SAE 203,2/12-11 r92 25° spigot Ø 196,8	8	190	203,2	196,8	184,1	12X11,2	92	25°	
FY.190.00.606-100	XS180-15 r100 30°	9	190	180	150	-	4 X 15	100	30°	

SLIP YOKE ASSY

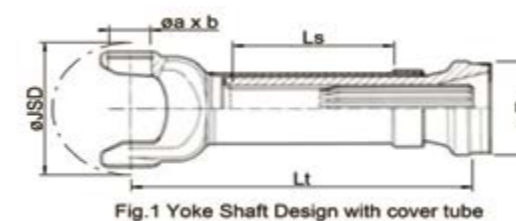


Fig.1 Yoke Shaft Design with cover tube

PART NUMBER	DESCRIPTION	Fig.	JSD	Lt	Ls	βmax	Ø Ts	Spline
SY.190.00.11.180-408/130x6	180-408/130x6 25° 82,x2x30 DIN5480	1	190	408	180	25°	130x6	82,x2x30 DIN5480

TUBE YOKE

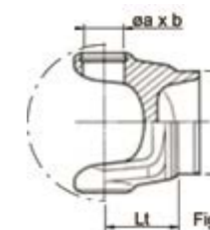
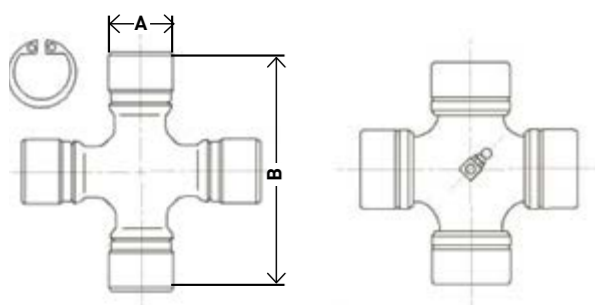


Fig.1

PART NUMBER	Fig.	JSD	Lt	βmax	Ø Ts	REFERENCE
TY.190.00.-105/130X6	1	190	105	30°	130X6	OEM 20471436

X. 204 SERIES | 65 X 172

UNIVERSAL JOINT



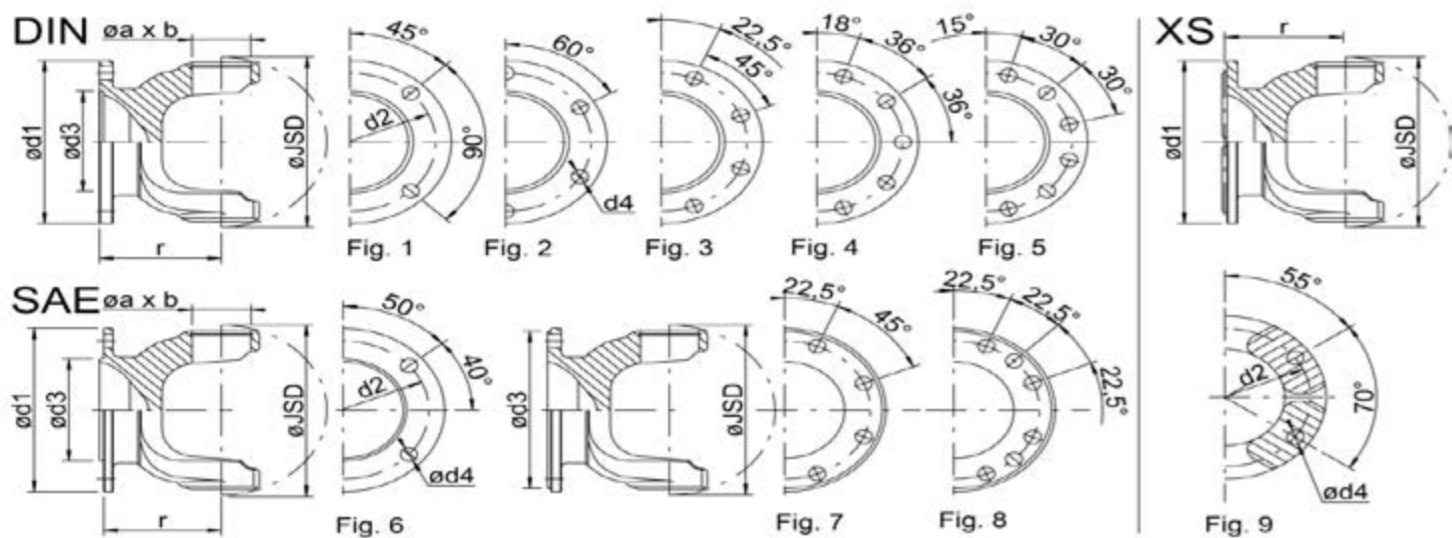
SICIT PART NUMBER	2180
DIAMETER [D]	65
LENGTH [L]	172
LUBRIFICATION	Central with grease nipple
REFERENCE	GWB 587.48 / 687.65 GKN U982 DAF 1288240 IVECO 8194583, 93156581, 93159498 MERCEDES-BENZ 6454100131 RENAULT 5001845132 SCANIA 1857614

ENGINEERING DATA



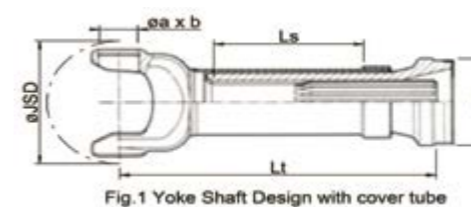
TMAX	[maximum static torque capacity, based on material strength]	Nm	36300
TFAT	[reversing, dynamic torque capacity, based on material strength]	Nm	13900
ULT	[U.-Joint life torque capacity, based on the bearing data]	Nm	6870
JSD	[over all swing diameter across the U.-Joint]	mm	204
β	[standard deflection angle, which may vary depending on design]	deg	25
TUBE		from	142
		to	
LC MAX	[Maximum compressed length]	mm	745
Ls max	Ls max [Maximum length compensation]	mm	150

FLANGE YOKES



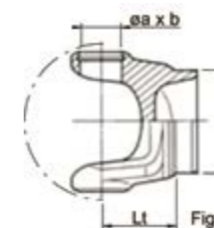
PART NUMBER	DESCRIPTION	Fig.	JSD	d1	d2	d3	n x d4	r	βmax	REFERENCE
FY.204.00.121-110	DIN 180/8-14 r110 25° spigot Ø 110	3	204	180	155,5	110	8X14,2	110	25°	
FY.204.10.123-110	DIN 180/10-16 r110 22° spigot Ø 110	4	204	180	155,5	110	10 x 16,2	110	22°	IVECO 42492565
FY.204.10.126-110	DIN 225/8-16 r120 22° spigot Ø 140	3	204	225	196	140	8 x 16,2	120	22°	
FY.204.10.127-110	DIN 225/12-16 r110 22° spigot Ø 140	5	204	225	196	140	12 x 16,2	110	22°	
FY.204.00.128.1-110	DIN 250/8-18,2 r120 22° spigot Ø 110	3	204	250	-	-	8 x 18,2	120	22°	
FY.204.00.606-100,5	XS180/4-15 r100,5 30°	9	204	180	150	-	4 x 15,2	100,5	30°	IVECO 93156911

SLIP YOKE ASSY



PART NUMBER	DESCRIPTION	Fig.	JSD	Lt	Ls	βmax	Ø Ts	Spline
SY.204.00.11.110-338/142x6	338/110 142x6 25° 90x2,5x34 DIN5480	1	204	338	110	25°	142x6	90x2,5x34 DIN5480
SY.204.00.11.180-428/140X5	180-428/140X5 25 90x2,5x34 DIN 5480	1	204	428	180	25°	140x5	90x2,5x34 DIN 5480

TUBE YOKE



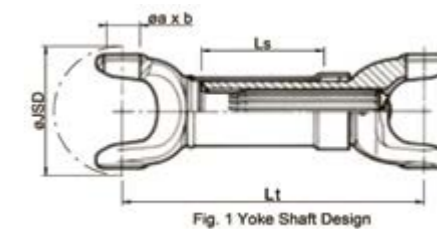
PART NUMBER	Fig.	JSD	Lt	βmax	Ø Ts	REFERENCE
TY.204.00.-116,0/142x6	1	204	116	25°	142x6	
TY.204.00.-116/140X5	1	204	116	25°	140X5	

MID SHIP ASSY

PART NUMBER
MSA.204.68765.001
MSA.204.68765.002

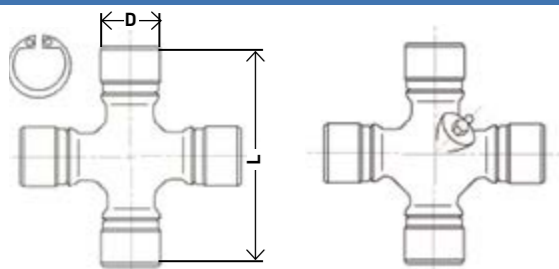
SHORT COUPLING ASSEMBLY

PART NUMBER	Fig.	JSD	Lt	Ls	βmax	Spline
SCA 204.11.75.364	1	204	364	75	35°	90X2,5X34 DIN 5480
SCA 204.11.100.479	1	204	479	100	35°	90X2,5X34 DIN 5480



X. 204A SERIES | 68 X 117

UNIVERSAL JOINT



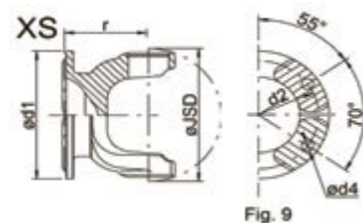
SICIT PART NUMBER	1680
DIAMETER [D]	68
LENGHT [L]	117
LUBRIFICATION	Central with grease nipple
REFERENCE	MERCEDES-U996 9.424.100.231

ENGINEERING DATA



TMAX	[maximum static torque capacity, based on material strength]	Nm	30000
TFAT	[reversing, dynamic torque capacity, based on material strength]	Nm	15000
ULT	[U.-Joint life torque capacity, based on the bearing data]	Nm	7000
JSD	[over all swing diameter across the U.-Joint]	mm	204
SS	[standard deflection angle, which may vary depending on design]	deg	
TUBE		from	
		to	
LC MAX	[Maximum compressed length]	mm	
Ls max	Ls max [Maximum length compensation]	mm	

FLANGE YOKES



PART NUMBER	DESCRIPTION	Fig.	JSD	d1	d2	d3	n x d4	r	βmax	REFERENCE
FY.204A.10.126-120	DIN 225/8-16 r120 22° spigot Ø 140	3	204	225	196	140	8 x 16,2	120	22°	
FY.204A.10.129-120	DIN 250/8-18 r108 24° spigot Ø 140	3	204	250	218	140	12X18	120	24°	
FY.204A.10.131-120	DIN 285 - 8x20 r135 r135 15° spigot Ø 175	3	204	285	245	175	8x20	120	15°	
FY.204A.10.607-113	XS20074X15 r120 22°	9	204	200	165	/	4X15	113	22°	

SLIP YOKE ASSY

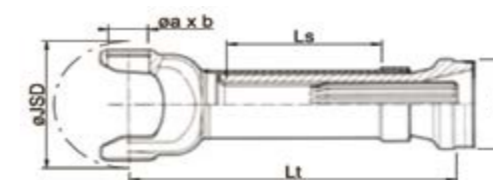


Fig.1 Yoke Shaft Design with cover tube

PART NUMBER	DESCRIPTION	Fig.	JSD	Lt	Ls	βmax	Ø Ts	Spline
SY.204A.00.11.110-382/144x7	110-382/144x7 25° 90x2,5x34 DIN5480	1	204	382	110	25°	144x7	90x2,5x34 DIN5480

TUBE YOKE

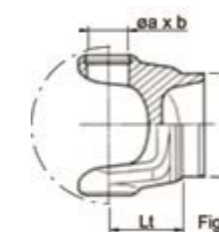
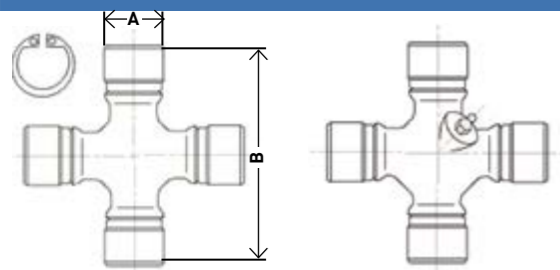


Fig.1

PART NUMBER	Fig.	JSD	Lt	βmax	Ø Ts	REFERENCE
TY.204A.10.-140/144x7	1	204	140	22°	144x7	

X. 215 SERIES | 72 X 185

UNIVERSAL JOINT



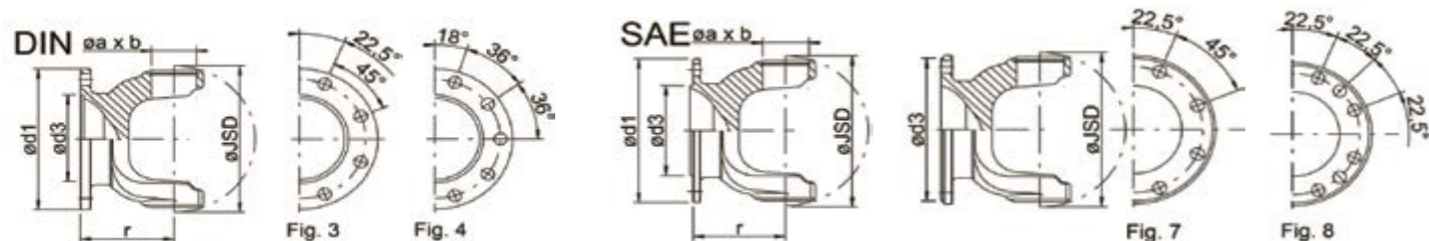
SICIT PART NUMBER	I100
DIAMETER [D]	72
LENGHT [L]	185
LUBRIFICATION	Central with grease nipple
REFERENCE	GWB 587.50

ENGINEERING DATA



TMAX	[maximum static torque capacity, based on material strength]	Nm	37800
TFAT	[reversing, dynamic torque capacity, based on material strength]	Nm	18900
ULT	[U.-Joint life torque capacity, based on the bearing data]	Nm	8000
JSD	[over all swing diameter across the U.-Joint]	mm	215
SS	[standard deflection angle, which may vary depending on design]	deg	25
TUBE		from	144
		to	
LC MAX	[Maximum compressed length]	mm	850
Ls max	Ls max [Maximum length compensation]	mm	140

FLANGE YOKES



PART NUMBER	DESCRIPTION	Fig.	JSD	d1	d2	d3	n x d4	r	βmax
FY.215.00.126-113	DIN 225/8-16 r113 24° spigot Ø 140	3	215	225	196	140	8 x 16,2	113	24°
FY.215.00.126-128	DIN 225/8-16 r128 24° spigot Ø 140	3	215	225	196	140	8 x 16,2	128	24°
FY.215.00.128-108	DIN 250/8-18 r108 24° spigot Ø 140	3	215	250	218	140	8 x 18,2	108	24°
FY.215.00.128-128	DIN 250/8-18 r108 24° spigot Ø 140	3	215	250	218	140	8 x 18,2	128	24°
FY.215.00.129-108	DIN 250/12X18 r108 24° spigot Ø 140	8	215	250	218	140	12X18,2	108	24°
FY.215.00.129-128	DIN 250/12X18 r108 24° spigot Ø 140	8	215	250	218	140	12X18,2	128	24°
FY.215.00.130A-120	DIN 250/10X14 r108 24° spigot Ø 140	4	215	275	248	140	10X14,2	120	25°
FY.215.00.220-108	SAE 276,2/8x16 r108 25° spigot Ø 222,2	7	215	276,2	247,65	222,2	8X16,2	108	25°

SLIP YOKE ASSY

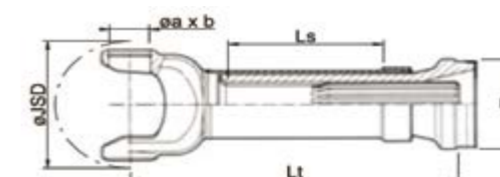
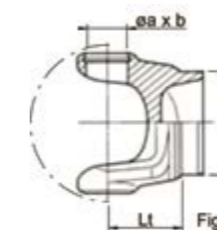


Fig.1 Yoke Shaft Design with cover tube

PART NUMBER	DESCRIPTION	Fig.	JSD	Lt	Ls	βmax	Ø Ts	Spline
SY.215.00.11.110-530/144x7	400/110 144X7 24° 90X2,5X34 DIN 5480	1	215	400	110	24	144X7	90x2,5x34 DIN5480
SY.215.00.11.180-600/142x6	432/180 142x6 24° 90X2,5X34 DIN 5480	1	215	432	180	24°	142X6	90x2,5x34 DIN5480
SY.215.00.11.350-800/144x7	432/180 142x6 24° 90X2,5X34 DIN 5481	1	215	1100	350	24	144X7	90x2,5x34 DIN5480
SY.215.00.11.230-650/142X6	506/230 142x6 24° 90X2,5X34 DIN 5480	1	215	506	230	24°	142x6	90x2,5x34 DIN5480

TUBE YOKE



PART NUMBER	Fig.	JSD	Lt	βmax	Ø Ts	REFERENCE
TY.215.00.-136/142X6	1	215	136	24°	144x7	
TY.215.00.-120/140X6	1	215	120	24°	140X5	
TY.215.00.-130/140X6	1	215	130	24°	140X5	

SHORT COUPLING ASSEMBLY

PART NUMBER	Fig.	JSD	Lt	Ls	βmax	Spline
SCA 215.00.11.90.500						

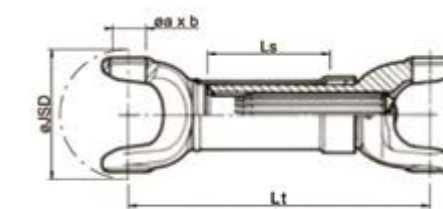
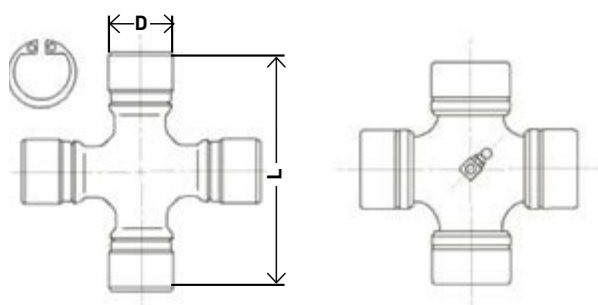


Fig. 1 Yoke Shaft Design

X. 220 SERIES | 65 X 190

UNIVERSAL JOINT



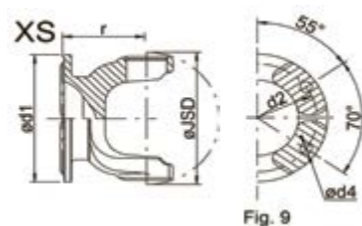
SICIT PART NUMBER	1880
DIAMETER [D]	65
LENGHT [L]	190
LUBRIFICATION	Central with grease nipple
REFERENCE	SCANIA 607083 113-E / OEM 1531005 SCANIA 1442242/ SCANIA P600

ENGINEERING DATA



TMAX	[maximum static torque capacity, based on material strength]	Nm	30000
TFAT	[reversing, dynamic torque capacity, based on material strength]	Nm	15000
ULT	[U.-Joint life torque capacity, based on the bearing data]	Nm	7000
JSD	[over all swing diameter across the U.-Joint]	mm	220
β	[standard deflection angle, which may vary depending on design]	deg	
TUBE		from	
		to	
LC MAX	[Maximum compressed length]	mm	
Ls max	Ls max [Maximum length compensation]	mm	

FLANGE YOKES



PART NUMBER	DESCRIPTION	Fig.	JSD	d1	d2	d3	n x d4	r	βmax	REFERENCE
FY.220.00.606-71	XS 180/4X15 r 71 22°	9	220	180	150	/	4X15	71	22°	1531005

SLIP YOKE ASSY

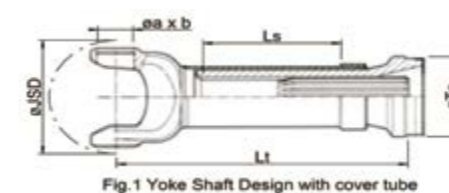


Fig.1 Yoke Shaft Design with cover tube

PART NUMBER	DESCRIPTION	Fig.	JSD	Lt	Ls	βmax	ØTs	Spline	REF.
SY.220.00.11.100-395/118,5X7,25	100-395/118,5X7,25 22° 87x2,54x32 DIN5480	1	220	395	100	22°	118,5X7,25	87x2,54x32 DIN5480	OEM 1857614

TUBE YOKE

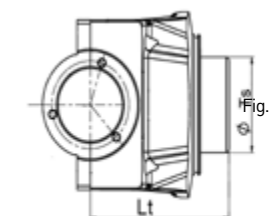


Fig.1

PART NUMBER	Fig.	JSD	Lt	βmax	ØTs	REFERENCE
TY.220.00.-126,5/108X5	1	220	126,5	22°	108X5	OEM 1364398

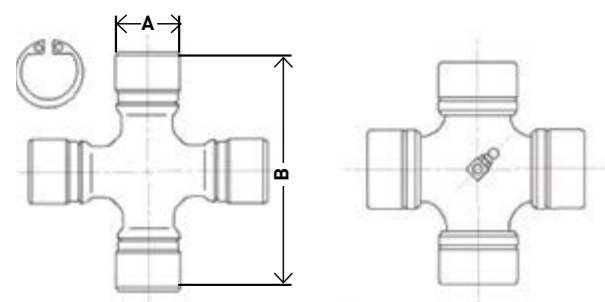
END YOKE

PART NUMBER	Fig.	JSD	Lt	βmax	ØTs	REFERENCE
EY.220.80.-140/85X24	A	220	140	/	85	OEM 1319646
EY.220.80.-140/80X24	A	220	140	/	80	OEM 1319645/1422430



X. 225B SERIES | 74 X 129 (213)

UNIVERSAL JOINT



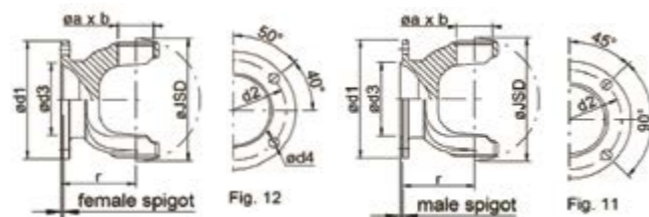
SICIT PART NUMBER	I160FL
DIAMETER [D]	74
LENGHT [L]	229
LUBRIFICATION	Central with grease nipple
REFERENCE	GWB 392,50

ENGINEERING DATA



TMAX	[maximum static torque capacity, based on material strength]	Nm	46000
TFAT	[reversing, dynamic torque capacity, based on material strength]	Nm	23600
ULT	[U.-Joint life torque capacity, based on the bearing data]	Nm	16000
JSD	[over all swing diameter across the U.-Joint]	mm	225
β	[standard deflection angle, which may vary depending on design]	deg	15
TUBE		from	
		to	
LC MAX	[Maximum compressed length]	mm	
Ls max	Ls max [Maximum length compensation]	mm	

FLANGE YOKES



PART NUMBER	DESCRIPTION	Fig.	JSD	d1	d2	d3	n x d4	r	βmax	REFERENCE
FY.225B.30.126-145	DIN 225 126-145 8X16 r145 15° spigot 105	3	225	225	196	105	8 x 16	145	15°	

SLIP YOKE ASSY

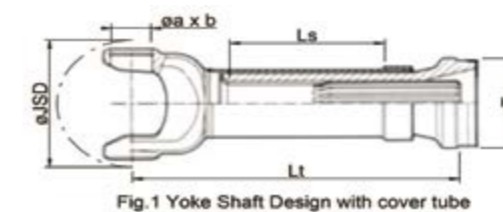


Fig.1 Yoke Shaft Design with cover tube

PART NUMBER	DESCRIPTION	Fig.	JSD	Lt	Ls	βmax	Ø Ts	Spline
SY.225B.30.11.100-450/168X10	450/168X10 15° 120x2,5x48 DIN5480	1	225	450	100	15°	168X10	120x2,5x48 DIN5480
SY.225B.30.11.100-390/167,7X9,6	390/167,7X9,6 15° 120x2,5x48 DIN5480	1	225	390	100	15°	167,7X9,6	120x2,5x48 DIN5480

TUBE YOKE

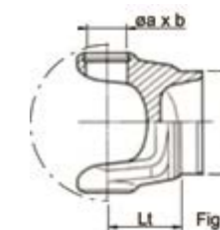
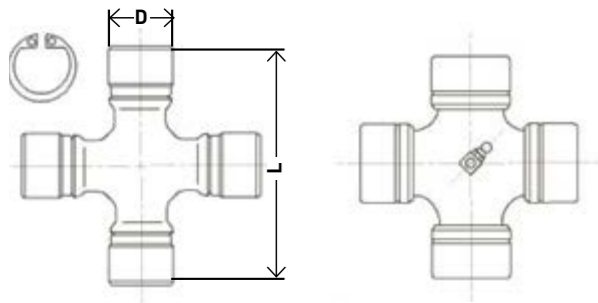


Fig.1

PART NUMBER	Fig.	JSD	Lt	βmax	Ø Ts	REFERENCE
TY.225B.30.-145/168x10	1	225	145	15°	168x10	
TY.225B.30.-185/167,7x9,6	1	225	185	15°	167,7x9,6	

X. 240 SERIES | 83 x 129 (234)

UNIVERSAL JOINT



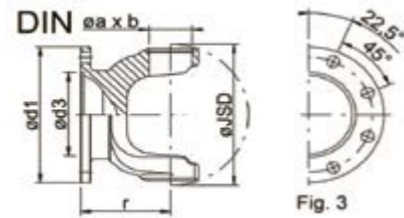
SICIT PART NUMBER	I280FL
DIAMETER [D]	83
LENGTH [L]	129
LUBRIFICATION	Central with grease nipple
REFERENCE	GWB 390.60

ENGINEERING DATA



TMAX	[maximum static torque capacity, based on material strength]	Nm	50000
TFAT	[reversing, dynamic torque capacity, based on material strength]	Nm	23000
ULT	[U.-Joint life torque capacity, based on the bearing data]	Nm	18500
JSD	[over all swing diameter across the U.-Joint]	mm	240
β	[standard deflection angle, which may vary depending on design]	deg	15
TUBE		from	
		to	
LC MAX	[Maximum compressed length]	mm	
Ls max	Ls max [Maximum length compensation]	mm	

FLANGE YOKES



PART NUMBER	DESCRIPTION	Fig.	JSD	d1	d2	d3	n x d4	r	βmax	REFERENCE
FY.240.30.131-135	DIN 285 - 8x20 r135 r135 15° spigot Ø 175	3	240	285	245	175	8x20	135	15°	1531005

SLIP YOKE ASSY

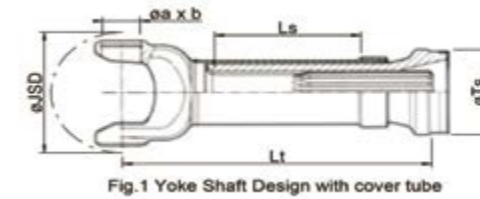


Fig.1 Yoke Shaft Design with cover tube

PART NUMBER	DESCRIPTION	Fig.	JSD	Lt	Ls	βmax	ØTs	Spline
SY.240.00.12.150-390/161,7x9,8	338/110 142x6 25° 90x2,5x34 DIN5480	1	240	390	150	15°	161,7x9,8	120x205x46 DIN5480
SY.240.16.21.140-512/165X12,5	512/140 165X12,5	1	240	512	140	15°	165X12,5	90x2,5x34 DIN5480

TUBE YOKE

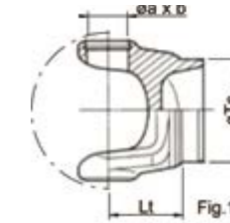
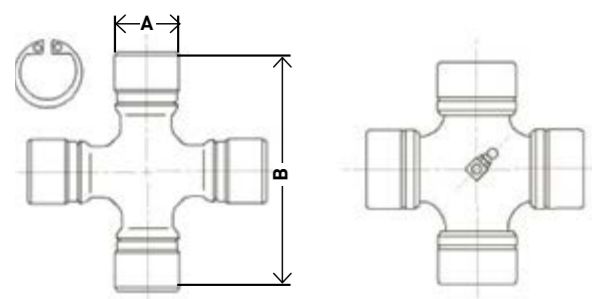


Fig.1

PART NUMBER	Fig.	JSD	Lt	βmax	ØTs	REFERENCE
TY.240.117/161,7X9,8	1	240	117	15°	161,7X9,8	
TY.240.16.165/165x12,5	1	240	165	15°	165X12,5	

X. 250B SERIES | 74 X 217

UNIVERSAL JOINT



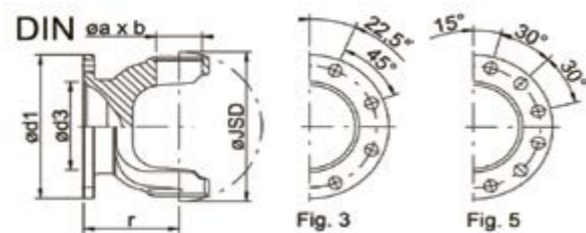
SICIT PART NUMBER	I120
DIAMETER [D]	74
LENGHT [L]	217
LUBRIFICATION	Central with grease nipple
REFERENCE	GWB 587.55

ENGINEERING DATA



TMAX	[maximum static torque capacity, based on material strength]	Nm	59700
TFAT	[reversing, dynamic torque capacity, based on material strength]	Nm	29860
ULT	[U.-Joint life torque capacity, based on the bearing data]	Nm	9870
JSD	[over all swing diameter across the U.-Joint]	mm	250
β	[standard deflection angle, which may vary depending on design]	deg	20
TUBE		from	168,8
		to	
LC MAX	[Maximum compressed length]	mm	840
Ls max	Ls max [Maximum length compensation]	mm	100

FLANGE YOKES



PART NUMBER	DESCRIPTION	Fig.	JSD	d1	d2	d3	n x d4	r	βmax	REFERENCE
FY.250B.00.129-125	DIN 250/12-18 r125 22° spigot Ø 140	5	250	250	218	140	12 x 18,2	125	22°	
FY.250B.00.128-144	DIN 250/8-18 r144 22° spigot Ø 140	5	250	250	218	140	8 x 18,2	144	22°	
FY.250B.00.131-145	DIN 285/8-20 r145 22° spigot Ø 175	3	250	285	245	175	8x20,2	145	22°	

SLIP YOKE ASSY

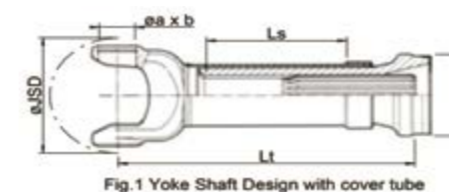
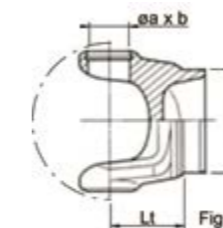


Fig.1 Yoke Shaft Design with cover tube

PART NUMBER	DESCRIPTION	Fig.	JSD	Lt	Ls	βmax	Ø Ts	Spline
SY.250B.00.12.110-485/168,8x7,3	485/110 168,8x7,3 20° 115x2,5x30 DIN5480	1	250B	485	110	20°	168,8x7,3	115x2,5x30 DIN5480
SY.250B.00.12.110-430/168,8x7,3	430/110 168,8x7,3 20° 115x2,5x30 DIN5480	1	250B	430	110	20°	168,8x7,3	115x2,5x30 DIN5480

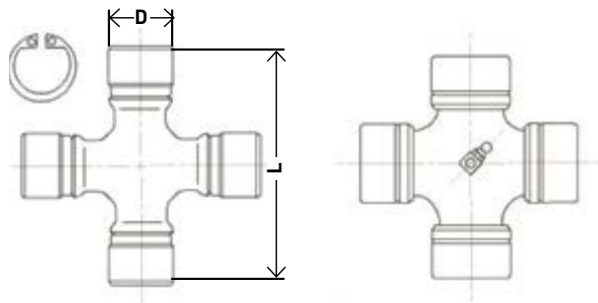
TUBE YOKE



PART NUMBER	Fig.	JSD	Lt	βmax	Ø Ts	REFERENCE
TY.250B.00.-155/168,8x7,3	1	250	155	20°	168,8x7,3	

X. 265B SERIES | 95x139 (261)

UNIVERSAL JOINT



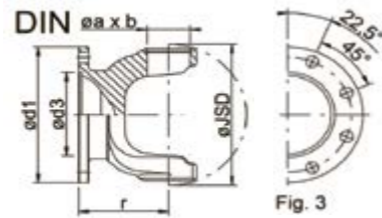
SICIT PART NUMBER	I380FL
DIAMETER [D]	95
LENGHT [L]	139
LUBRIFICATION	Central with grease nipple
REFERENCE	GWB 390.65

ENGINEERING DATA



TMAX	[maximum static torque capacity, based on material strength]	Nm	75000
TFAT	[reversing, dynamic torque capacity, based on material strength]	Nm	36000
ULT	[U.-Joint life torque capacity, based on the bearing data]	Nm	25100
JSD	[over all swing diameter across the U.-Joint]	mm	265
β	[standard deflection angle, which may vary depending on design]	deg	15
TUBE		from	
		to	
LC MAX	[Maximum compressed length]	mm	
Ls max	Ls max [Maximum length compensation]	mm	

FLANGE YOKES



PART NUMBER	DESCRIPTION	Fig.	JSD	d1	d2	d3	n x d4	r	βmax	REFERENCE
FY.265B.16-133-150	DIN 315-150/ 8X22 r15° spigot Ø 175	3	265	315	280	175	8X22,2	150	15°	

SLIP YOKE ASSY

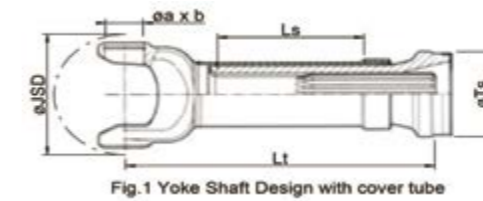


Fig.1 Yoke Shaft Design with cover tube

PART NUMBER	DESCRIPTION	Fig.	JSD	Lt	Ls	βmax	Ø Ts	Spline	REF.
SY.265B.16.21.140-630/177x17,5	630/140 177X17,5 r15° 130X3X42 DIN5480	1	265	630	140	15°	177X17,5	130X3X42 DIN5480	

TUBE YOKE

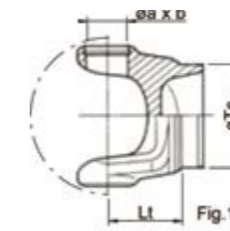
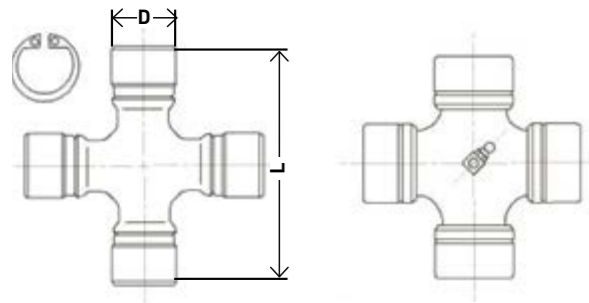


Fig.1

PART NUMBER	Fig.	JSD	Lt	βmax	Ø Ts	REFERENCE
TY.265B.16.190/177x17,5	1	265	190	15°	177X17,5	

X. 285C SERIES | 83 X 175 (280)

UNIVERSAL JOINT



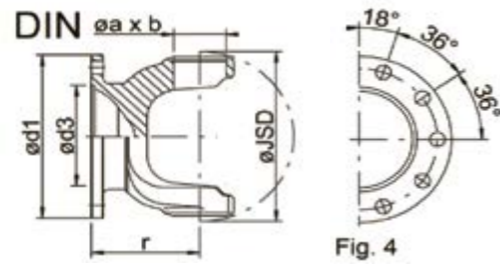
SICIT PART NUMBER	I320FL
DIAMETER [D]	83
LENGHT [L]	175
LUBRIFICATION	Central with grease nipple
REFERENCE	GWB 190.60

ENGINEERING DATA



TMAX	[maximum static torque capacity, based on material strength]	Nm	115000
TFAT	[reversing, dynamic torque capacity, based on material strength]	Nm	57000
ULT	[U.-Joint life torque capacity, based on the bearing data]	Nm	18800
JSD	[over all swing diameter across the U.-Joint]	mm	285
β	[standard deflection angle, which may vary depending on design]	deg	
TUBE		from	
		to	
LC MAX	[Maximum compressed length]	mm	
Ls max	Ls max [Maximum length compensation]	mm	

FLANGE YOKES



PART NUMBER	DESCRIPTION	Fig.	JSD	d1	d2	d3	n x d4	r	βmax	REFERENCE
FY.285C.00.134-130	DIN 348-130/10X18 r15° spigot Ø 220	4	285	348	310	220	10X18,2	130	15°	

SLIP YOKE ASSY

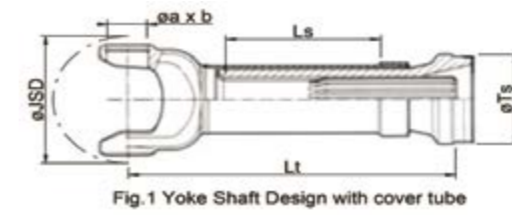


Fig.1 Yoke Shaft Design with cover tube

PART NUMBER	DESCRIPTION	Fig.	JSD	Lt	Ls	βmax	Ø Ts	Spline
SY.285C.20.100-509/161,5X9	509/161,5X9 15° 120x2,5x46 DIN5480	1	285	336	60	15°	161,5X9	120x2,5x46 DIN5480

TUBE YOKE

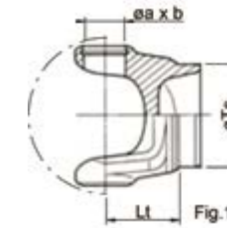


Fig.1

PART NUMBER	Fig.	JSD	Lt	βmax	Ø Ts	REFERENCE
TY.285C.20.160/161,5X9	1	285	160	15°	161,5X9	



Center Support Bearing

CENTER SUPPORT BEARING

SICIT CODE	OEM COMPANY	OEM REF.	DIAMETER	DISTANCE BETWEEN HOLES
SUP_ALFA30_001	ALFA ROMEO	00055519705	30	
SUP_BMW30_001	BMW	26 12 1 226 731	30	55
SUP_BMW30_002	BMW	26 12 1 209 532	30	
SUP_BMW30_003	BMW	26 11 1 206 502	30	
SUP_BMW30_004	BMW	26121229492 - 26127501257	30	160
SUP_BMW30_005	BMW	26121229682	30	124
SUP_BMW30_006	BMW	26121225152	30	140
SUP_BMW30_007	BMW	26121226723	30	170
SUP_BMW30_008	BMW	26121227660	30	160
SUP_BMW30_009	BMW	26127521855	30	160
SUP_BMW30_010	BMW	26127526631	30	160
SUP_BMW30_011	BMW	26121229726	30	130
SUP_BMW35_001	BMW	26127521856	35	160
SUP_BMW35_002	BMW	26127526632	35	160
SUP_BMW35_003	BMW	26121227997	35	160
SUP_DAC30_001	DACIA	397740385R	30	176
SUP_DAF75_001	DAF	1779702 1740904 1438919 1608405	75	220
SUP_FIAT25_001	FIAT	46407936 - 7541164	25	135
SUP_FIAT30_001	FIAT	808682	30	138
SUP_FORD30_001	FORD	88VB4826AA	30	140
SUP_FORD30_002	FORD	95VB4826AA - 92VB4826CA	30	144
SUP_HYU30_001	HYUNDAI	MR165252	30	160
SUP_IVE35_001	IVECO	42536526 - 9984261 - 9932698	35	168,2
SUP_IVE35_002	IVECO	4390495 - 92536526	35	168,2
SUP_IVE35_003	IVECO	93160324 - 42536726	35	168,2
SUP_IVE40_001	IVECO	42536965 5687637 93160223	40	168,2

CENTER SUPPORT BEARING

SICIT CODE	OEM COMPANY	OEM REF.	DIAMETER	DISTANCE BETWEEN HOLES
SUP_IVE40_002	IVECO	42535254	40	168,2
SUP_IVE40_003	IVECO	93158202	40	168,2
SUP_IVE45_001	IVECO	42536523 4682902 42534452	45	200
SUP_IVE45_002	IVECO	42537902	45	200
SUP_IVE45_003	IVECO	42541441	45	200
SUP_IVE45_004	IVECO	93158251 - 42541439	45	193,6
SUP_IVE45_005	IVECO	93156460 - 42538439 - 93157025	45	168,2
SUP_IVE45_006	IVECO	4682902	45	193,6
SUP_IVE45_006	IVECO	42536523	45	193,6
SUP_IVE50_001	IVECO	4765836 - 4473129	50	193,6
SUP_IVE55_001	GWB	6387300127080	55	200
SUP_IVE55_002	IVECO	42536524	55	193,6
SUP_IVE55_003	IVECO	4674953 - 93163091	55	193,6
SUP_IVE55_004	IVECO	42541440	55	200
SUP_IVE55_005	IVECO	42532291 - 42538366	55	168,2
SUP_IVE60_001	IVECO	4698110	60	220
SUP_IVE60_002	IVECO	93191989 - 93191989 - 4803933 - 4473133 - 42077882 - 42541438 - 41932125 - 42002125	60	220
SUP_IVE60_003	IVECO	42532295 - 42538367	60	193,6
SUP_IVE60_004	IVECO	42536525	60	220
SUP_IVE60_005	IVECO	93157626 - 42536961	60	220
SUP_IVE60_006	IVECO	93157626	60	220
SUP_IVE60_007	IVECO	93157125	60	220
SUP_IVE70_001	IVECO	42536964 - 42087542 - 42541437 - 701756	70	200
SUP_IVE70_002	IVECO	42536963 - 93163689 - 93190884	70	200

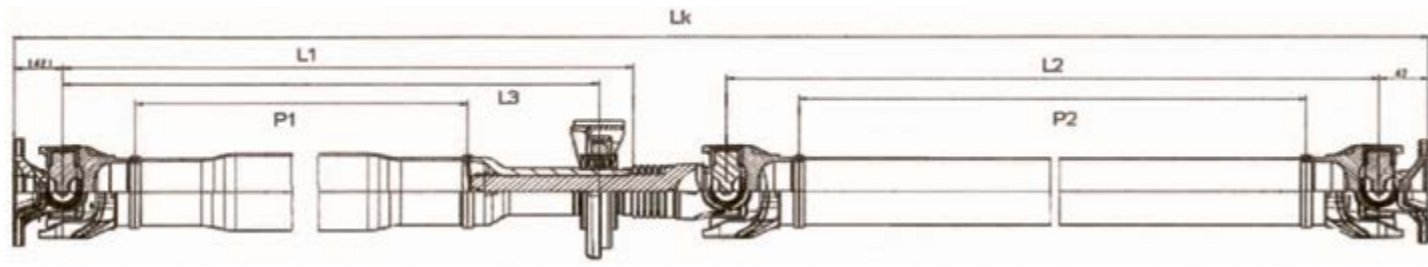
CENTER SUPPORT BEARING

SICIT CODE	OEM COMPANY	OEM REF.	DIAMETER	DISTANCE BETWEEN HOLES
SUP_IVE70_003	IVECO	42560645	70	200
SUP_IVE70_004	IVECO	42087410 - 42536962	70	200
SUP_MAN65_001	MAN	81394106028	65	197
SUP_MAN65_002	MAN	81394106017 81394106013	65	230
SUP_MAN70_001	MAN	81394106020 81394106032	75	230
SUP_MAN70_002	MAN	81394106021	75	230
SUP_MB25_001	MERCEDES	124 410 06 81 S1	25	
SUP_MB30_001	MERCEDES	126 410 01 81 S1	30	
SUP_MB30_002	MERCEDES	A447 410 3100	30	205/265
SUP_MB30_003	MERCEDES	639 410 0281	30	148
SUP_MB30_004	MERCEDES	A447 410 3400 - A447 410 3300 - A447 410 3600	30	148
SUP_MB35_001	MERCEDES	3094100110 - 3095860141 - 3104100822	35	157
SUP_MB45_001	MERCEDES	6014102110 - 6014100410 - 6014101710 - 6014105010 - 6014101510 - 601586004	45	194
SUP_MB45_002	MERCEDES	9034100010 - 9014110312 - 9014110310	45	195
SUP_MB45_003	MERCEDES	3854100922	45	
SUP_MB45_004	MERCEDES	3954100622 - 6554100022 - 6204100022 - 395410002	45	
SUP_MB45_005	MERCEDES	3954100222 - 3814100222	45	191
SUP_MB45_006	MERCEDES	3464100010 - 3814101522 - 3814100920	45	190,3
SUP_MB47_001	MERCEDES	9064100581SK 9064100581 9064101581SK 9064101581 9064100781SK 9064100781 9064101781SK 9064101781 9064101281SK 9064101281 9064100381SK 9064100381 9064101081SK 9064101081 5154107182	47	194
SUP_MB47_002	MERCEDES	9064101881SK 9064100881 9064101681 9064100281SK 9064100281 9064107281 9064100681 9064101381 9064101181 9064100681SK 9064101381SK 9064101181SK 5154106882	47	194
SUP_MB47_003	MERCEDES	9064100581SK 9064100581 9064101581SK 9064101581 9064100781SK 9064100781 9064101781SK 9064101781 9064101281SK 9064101281 9064100381SK 9064100381 9064101081SK 9064101081 5154107182	47	194
SUP_MB60_001	MERCEDES	3634100151	60	
SUP_MB60_002	MERCEDES	6544100022 6204100022 3894100222 3894100122	60	246
SUP_OP30_001	OPEL	458014	30	97

CENTER SUPPORT BEARING

SICIT CODE	OEM COMPANY	OEM REF.	DIAMETER	DISTANCE BETWEEN HOLES
SUP_OP30_002	OPEL	458009	30	94
SUP_REN30_001	RENAULT	4485131	30	131
SUP_REN35_001	RENAULT	70 103 4294 500 056 0295 770 103 4902	35	168
SUP_REN50_001	RENAULT	500 082 0884 500 087 6246 500 080 8211	50	194
SUP_REN55_001	RENAULT	500 081 6926 500 081 6927 500 081 6925 500 081 5989 500 102 0496	55	193,6
SUP_REN60_001	RENAULT	5000819211 0003997101	60	200
SUP_SCA60_001	SCANIA	294270	60	
SUP_SCA60_002	SCANIA	1113031 1403663	60	160
SUP_TOY30_001	TOYOTA	37230 20130	30	176
SUP_TOY30_002	TOYOTA	37230 42010	30	204
SUP_VO45_001	VOLVO	1070171 1697203 20362601 2084565	45	194
SUP_VO60_001	VOLVO	1696389 6212888	60	
SUP_VO70_001	VOLVO	20471428 1068222	70	220
SUP_VO70_002	VOLVO	263567 16229553 8171366	70	
SUP_VO70_003	VOLVO	21081150 21082652	70	220
SUP_VW30_001	AUDI-VW	8D0 521 113	30	152
SUP_VW30_002	VW	2153124300	30	409
SUP_VW30_003	AUDI-VW	4A0 521 113A/B	30	178
SUP_VW30_004	AUDI-VW	4A0 521 113G	30	187
SUP_VW47_001	VW	2E0598351B 2E0598351 2E0598351G	47	194
SUP_VW47_002	VW	2E0598351C	47	194

DRIVESHAFT MB SPRINTER



SICIT CODE	PART DESCRIPTION	MAKE	MODEL	SHAFT LENGHT
A906 410 00 16	Driveshaft	Mercedes Benz	Sprinter	2582
A906 410 02 16	Driveshaft	Mercedes Benz	Sprinter	2554
A906 410 05 16	Driveshaft	Mercedes Benz	Sprinter	2775
A906 410 06 16	Driveshaft	Mercedes Benz	Sprinter	2385
A906 410 07 16	Driveshaft	Mercedes Benz	Sprinter	2314
A906 410 10 00	Driveshaft	Mercedes Benz	Sprinter	2775
A906 410 12 00	Driveshaft	Mercedes Benz	Sprinter	2767
A906 410 12 16	Driveshaft	Mercedes Benz	Sprinter	2718
A906 410 13 06	Driveshaft	Mercedes Benz	Sprinter	2582
A906 410 14 00	Driveshaft	Mercedes Benz	Sprinter	2739
A906 410 14 16	Driveshaft	Mercedes Benz	Sprinter	2412
A906 410 15 01	Driveshaft	Mercedes Benz	Sprinter	925
A906 410 16 00	Driveshaft	Mercedes Benz	Sprinter	2756
A906 410 16 16	Driveshaft	Mercedes Benz	Sprinter	2843
A906 410 18 00	Driveshaft	Mercedes Benz	Sprinter	2748
A906 410 20 01	Driveshaft	Mercedes Benz	Sprinter	891
A906 410 21 01	Driveshaft	Mercedes Benz	Sprinter	845
A906 410 22 01	Driveshaft	Mercedes Benz	Sprinter	921
A906 410 24 01	Driveshaft	Mercedes Benz	Sprinter	842
A906 410 26 16	Driveshaft	Mercedes Benz	Sprinter	2582
A906 410 27 16	Driveshaft	Mercedes Benz	Sprinter	2554
A906 410 28 01	Driveshaft	Mercedes Benz	Sprinter	807
A906 410 29 01	Driveshaft	Mercedes Benz	Sprinter	856
A906 410 31 01	Driveshaft	Mercedes Benz	Sprinter	740
A906 410 31 16	Driveshaft	Mercedes Benz	Sprinter	2814
A906 410 32 01	Driveshaft	Mercedes Benz	Sprinter	697
A906 410 34 01	Driveshaft	Mercedes Benz	Sprinter	854
A906 410 36 01	Driveshaft	Mercedes Benz	Sprinter	730
A906 410 37 01	Driveshaft	Mercedes Benz	Sprinter	889
A906 410 38 01	Driveshaft	Mercedes Benz	Sprinter	822
A906 410 39 01	Driveshaft	Mercedes Benz	Sprinter	748
A906 410 40 01	Driveshaft	Mercedes Benz	Sprinter	757
A906 410 43 01	Driveshaft	Mercedes Benz	Sprinter	861
A906 410 46 06	Driveshaft	Mercedes Benz	Sprinter	2582
A906 410 53 06	Driveshaft	Mercedes Benz	Sprinter	2399
A906 410 54 06	Driveshaft	Mercedes Benz	Sprinter	2814
A906 410 56 06	Driveshaft	Mercedes Benz	Sprinter	2767
A906 410 57 06	Driveshaft	Mercedes Benz	Sprinter	2372
A906 410 58 06	Driveshaft	Mercedes Benz	Sprinter	2787
A906 410 60 06	Driveshaft	Mercedes Benz	Sprinter	2739

SICIT CODE	PART DESCRIPTION	MAKE	MODEL	SHAFT LENGHT
A906 410 61 06	Driveshaft	Mercedes Benz	Sprinter	2554
A906 410 63 16	Driveshaft	Mercedes Benz	Sprinter	1921
A906 410 65 06	Driveshaft	Mercedes Benz	Sprinter	2322
A906 410 65 16	Driveshaft	Mercedes Benz	Sprinter	2322
A906 410 66 01	Driveshaft	Mercedes Benz	Sprinter	787
A906 410 66 06	Driveshaft	Mercedes Benz	Sprinter	2737
A906 410 66 16	Driveshaft	Mercedes Benz	Sprinter	2737
A906 410 67 16	Driveshaft	Mercedes Benz	Sprinter	2286
A906 410 68 16	Driveshaft	Mercedes Benz	Sprinter	2701
A906 410 69 06	Driveshaft	Mercedes Benz	Sprinter	2286
A906 410 70 06	Driveshaft	Mercedes Benz	Sprinter	2701
A906 410 70 16	Driveshaft	Mercedes Benz	Sprinter	2767
A906 410 71 06	Driveshaft	Mercedes Benz	Sprinter	2363
A906 410 71 16	Driveshaft	Mercedes Benz	Sprinter	2390
A906 410 72 06	Driveshaft	Mercedes Benz	Sprinter	2778
A906 410 72 16	Driveshaft	Mercedes Benz	Sprinter	2396
A906 410 73 06	Driveshaft	Mercedes Benz	Sprinter	2336
A906 410 74 06	Driveshaft	Mercedes Benz	Sprinter	2750
A906 410 74 16	Driveshaft	Mercedes Benz	Sprinter	2554
A906 410 76 06	Driveshaft	Mercedes Benz	Sprinter	2396
A906 410 78 06	Driveshaft	Mercedes Benz	Sprinter	2390
A906 410 78 16	Driveshaft	Mercedes Benz	Sprinter	2582
A906 410 81 06	Driveshaft	Mercedes Benz	Sprinter	2347
A906 410 81 16	Driveshaft	Mercedes Benz	Sprinter	2268
A906 410 96 06	Driveshaft	Mercedes Benz	Sprinter	2756
A906 410 97 06	Driveshaft	Mercedes Benz	Sprinter	2554
A906 410 99 06	Driveshaft	Mercedes Benz	Sprinter	2748
A906 410 21 16	Driveshaft	Mercedes Benz	Sprinter	2843
A906 410 20 16	Driveshaft	Mercedes Benz	Sprinter	2843
A906 410 15 16	Driveshaft	Mercedes Benz	Sprinter	2401
A906 410 13 16	Driveshaft	Mercedes Benz	Sprinter	2404
A906 410 10 16	Driveshaft	Mercedes Benz	Sprinter	2784
A906 410 09 16	Driveshaft	Mercedes Benz	Sprinter	2811
A906 410 08 16	Driveshaft	Mercedes Benz	Sprinter	2396
A906 410 04 16	Driveshaft	Mercedes Benz	Sprinter	2360
A906 410 03 16	Driveshaft	Mercedes Benz	Sprinter	2748
A906 410 94 06	Driveshaft	Mercedes Benz	Sprinter	2816
A906 410 42 16	Driveshaft	Mercedes Benz	Sprinter	2582
A906 410 43 16	Driveshaft	Mercedes Benz	Sprinter	2554

DRIVESHAFT MB VITO

SICIT CODE	PART DESCRIPTION	MAKE	MODEL	SHAFT LENGHT
A639 410 3006	Driveshaft	Mercedes Benz	Vito	2240
A639 410 3106	Driveshaft	Mercedes Benz	Vito	2469
A639 410 3206	Driveshaft	Mercedes Benz	Vito	2211
A639 410 3306	Driveshaft	Mercedes Benz	Vito	2440
A639 410 3406	Driveshaft	Mercedes Benz	Vito	2143
A639 410 3506	Driveshaft	Mercedes Benz	Vito	2372
A639 410 3606	Driveshaft	Mercedes Benz	Vito	2173
A639 410 3706	Driveshaft	Mercedes Benz	Vito	2402
A639 410 3906	Driveshaft	Mercedes Benz	Vito	2176
A639 410 4006	Driveshaft	Mercedes Benz	Vito	2405
A639 410 4506	Driveshaft	Mercedes Benz	Vito	2405
A639 410 4606	Driveshaft	Mercedes Benz	Vito	1951
A639 410 4706	Driveshaft	Mercedes Benz	Vito	2180
A639 410 4806	Driveshaft	Mercedes Benz	Vito	1903
A639 410 4906	Driveshaft	Mercedes Benz	Vito	2132
A639 410 5306	Driveshaft	Mercedes Benz	Vito	2240
A639 410 5406	Driveshaft	Mercedes Benz	Vito	2469
A639 410 5506	Driveshaft	Mercedes Benz	Vito	2211
A639 410 5606	Driveshaft	Mercedes Benz	Vito	2440
A639 410 5706	Driveshaft	Mercedes Benz	Vito	2144
A639 410 5806	Driveshaft	Mercedes Benz	Vito	2373
A639 410 7306	Driveshaft	Mercedes Benz	Vito	1951
A639 410 7406	Driveshaft	Mercedes Benz	Vito	2180
A639 410 7506	Driveshaft	Mercedes Benz	Vito	1903
A639 410 7606	Driveshaft	Mercedes Benz	Vito	2132
A639 410 7706	Driveshaft	Mercedes Benz	Vito	2173
A639 410 7806	Driveshaft	Mercedes Benz	Vito	2402

DRIVESHAFT FORD TRANSIT

SICIT CODE	PART DESCRIPTION	MAKE	MODEL	SHAFT LENGHT
92VT-4K357-A1C	Driveshaft	Ford	Transit	2688
92VT-4K357-A1C	Driveshaft	Ford	Transit	2688
YVT-4K145-AA	Driveshaft	Ford	Transit	1976
YVT-4K145-AA	Driveshaft	Ford	Transit	1976
8C16-4K357-FF	Driveshaft	Ford	Transit	2767
8C11-4K145-AE	Driveshaft	Ford	Transit	2156
8C11-4K145-BE	Driveshaft	Ford	Transit	1954
8C16-4K357-FF	Driveshaft	Ford	Transit	2767
8C16-4K357-CF	Driveshaft	Ford	Transit	2522
8C16-4K357-FF	Driveshaft	Ford	Transit	2767
4C11-4K357-EC	Driveshaft	Ford	Transit	2969
6C11-4K357-DA	Driveshaft	Ford	Transit	2798
3C11-4K357-CC	Driveshaft	Ford	Transit	2553
6C11-4K357-DA	Driveshaft	Ford	Transit	2798
2C14-4K145-AA	Driveshaft	Ford	Transit	2025
AC11-4K145-AB	Driveshaft	Ford	Transit	2187
6C11-4K357-DA	Driveshaft	Ford	Transit	2798
3C11-4K357-CC	Driveshaft	Ford	Transit	2553
6C11-4K357-HB	Driveshaft	Ford	Transit	2767

DRIVESHAFT SCANIA

SICIT CODE	OEM COMPANY	OEM REF.	DIAMETER	DISTANCE BETWEEN HOLES
				Tube Yoke
		P300		Slip Yoke
				End Yoke
1364395				Tube Yoke
				Slip Yoke
		P400		Slip Yoke
1308761				End Yoke
1758369				Complete Shaft
284399				Tube Yoke
1394393				Tube Yoke
				Flange Yoke
1541303				Slip Yoke
		P500		Slip Yoke
1422427				End Yoke
1325906				End Yoke
390237				End Yoke
2032305				Complete Shaft
1387764				Central Bearing
1364398				Tube Yoke
1531005				Flange Yoke
1857614				Slip Yoke
1535361		P600		Companion Flange
1868016				Companion Flange
1319646				End Yoke
1422430				End Yoke

DRIVESHAFT PIAGGIO

SICIT CODE	OEM COMPANY	FLANGE-SLIP-TUBE CODE	DESCRIPTION
X.080(25X63)	PIAGGIO PORTER	FY.080.222 SY.080.00000001 TY.080.00000001	FY.080.00.222-45 SY.080.02.00.-81/66X1,6 TY.080.00.-42/52X3,5

“The whole is more than the sum of its parts.”

Cardan shafts, engineered for a wide spectrum of application...

- Splitted and closed yoke design for extreme operating conditions
- Lube for life versions for low TCO
- Maximum U-Joint life capacity
- FEM optimized geometries
- Specific materials and treatments
- Perfectly machined and matched components
- Tailor-made for individual purposes
- High capacity splines
- Maximum strength and minimum distortion under load



Service & Repair – “A second life”

Certainly, the life of every technical product is limited. Fortunately the breakdown of a cardan shaft does not always mean a total loss. For approximately 3/4th of all cardan shaft breakdowns just a part of the implemented components may be damaged. Whether normal wear or excessive overloads - the failure of a cardan shaft at the wrong moment may also cause immense follow-up costs. Preventive action can thus save your investment and money. The cardan shaft deserves “A second life”- and you will benefit for sure!



Our promise: We take care about it!

CARDAN SHAFTS

Engineering, manufacturing and service by the CARDANWORKS division of SICIT



Your move...

... towards a perfect cardan shaft solution!



Unlimited variety of products...

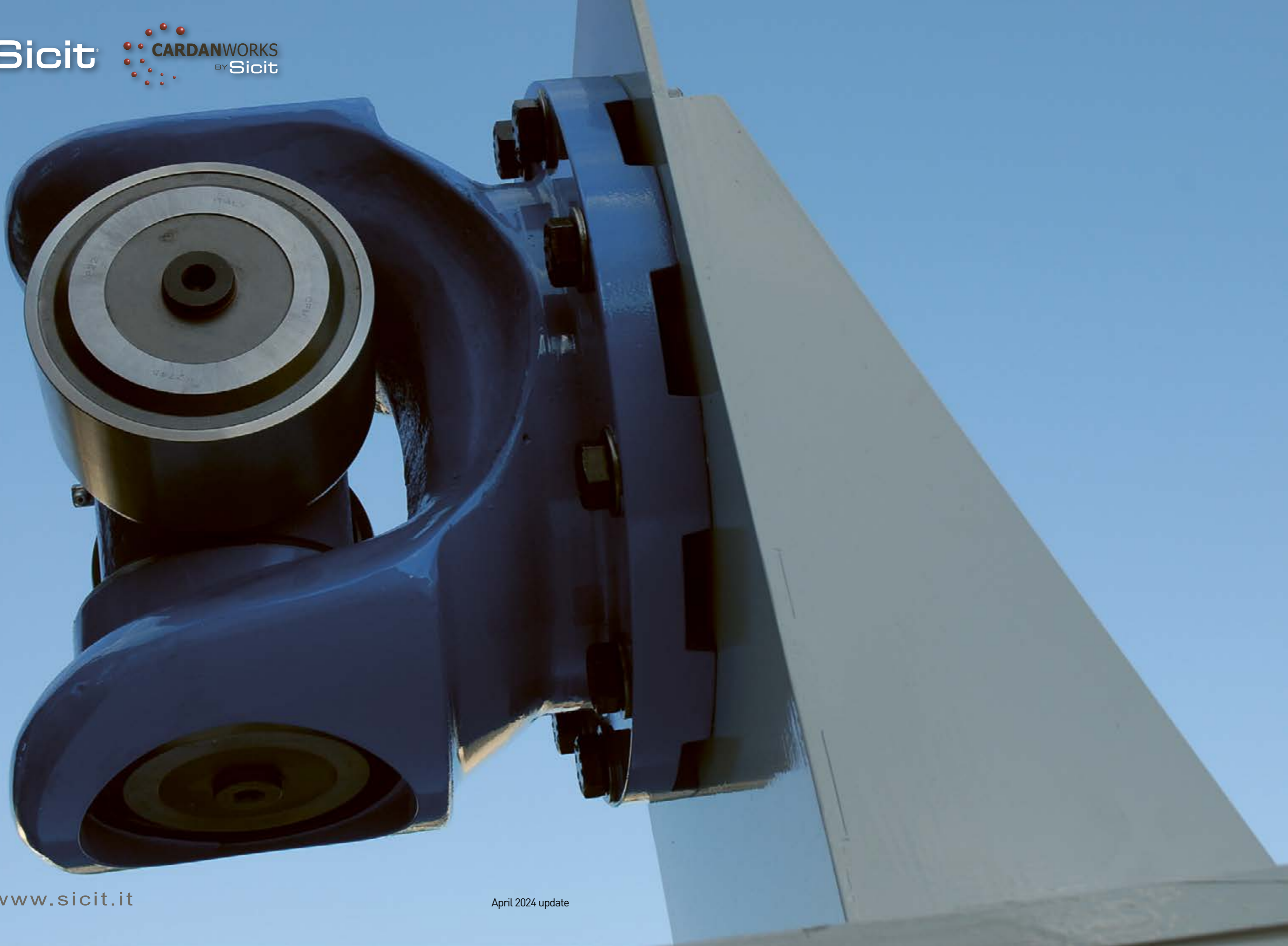
A CARDANWORKS shaft is as individual as its application. No cardan shaft is like the other – there are cardan shafts for vehicle construction, paper machines, test benches, pumps and rolling mills – this list can be continued endless. Some cardan shafts are predestined for most severe loads and some for highest precision. In some cases only a low temperature version can be used, other

application require a high temperature design. There are no standard solutions for this infinite variety of products. Thus CARDANWORKS shafts will be selected and designed on demand considering economical aspects. This datasheet submits a basic overview about the CARDANWORKS – product range. Further information and data for all variation, special designs and additional equipment will be given on request.

PRODUCT SPREAD		LIGHT DUTY			MEDIUM DUTY						HEAVY DUTY								SUPER HEAVY DUTY									
CARDAN SHAFT SIZE		X.078.	X.100.	X.116.	X.127.	X.142.	X.158.	X.172.	X.178.	X.204.	X.215.	X.225.	X.250B.	X.250.	X.285.	X.315.	X.350.	X.390.	X.440.	X.490.	X.550.	X.620.	X.680.	X.750.	X.840.			
ENGINEERING DATA																												
RATING	T _{MAX}	Nm	600	2.000	3.000	3.800	5.500	9.000	12.000	17.000	22.000	26.000	60.000	36.000	86.000	128.000	170.000	240.000	340.000	535.000	750.000	1.070.000	1.335.000	1.640.000	2.500.000	3.100.000		
	T _{FAT}	Nm	300	1.000	1.500	1.900	2.900	4.400	5.100	8.500	11.000	13.000	30.000	18.000	43.000	64.000	85.000	120.000	170.000	270.000	375.000	535.000	667.000	980.000	1.500.000	1.860.000		
DIMENSIONS	U _{LT}	Nm	220	660	920	1.180	2.090	2.890	3.740	4.600	6.870	8.000	11.750	9.870	17.250	23.800	35.650	47.850	62.950	98.450	117.050	181.450	225.100	320.000	450.000	565.000		
	J _{SD}	mm	78	100	116	127	142	158	172	178	204	215	225	250	250	285	315	350	390	440	490	550	620	680	750	840		
	β	°	20	22	35	27	25	30	25	25	25	25	15	20	15	15	15	15	15	15	15	15	15	15	15	15		
	Tube	from	mm	50	50	70	76,2	80	100	120	110	142	144	159	168,8	180	203	219	245	273	325	351	402	426	560	610	660	
		to	mm		76,2	90	88,9	90	120		120																	
	LC max	mm	260	490	450	492	570	575	580	620	745	850	990	840	1050	1275	1395	1525	1535	1700	1850	2050	2280	3250	3650	4250		
	LS max	mm	45	80	110	110	100	110	110	110	150	140	140	100	140		140	150	170	190	190	240	250	250	250	250		
	LF min	mm	200	240	280	310	375	400	415	450	490	540	650	610	750	850	930	1000	1015	1150	1250	1400	1520	1940	2400	2700		
FLANGE YOKE CONFIGURATION	DIN		75-6-6	90-4-8	100-6-8	120-8-10	150-8-10	150-8-12	180-8-14	180-8-14	180-8-14	225-8-16	225-8-16	225-8-16	250-8-18	285-8-20	315-8-22	350-10-22	390-10-24	435-10-27								
			90-4-8	100-6-8	120-8-8	150-8-12	150-8-12	180-8-14	180-8-16	180-8-16	180-8-16	250-8-18	250-8-18	250-8-18	285-8-20	315-8-22	350-10-22	390-10-24	435-10-27									
				100-8-8	120-8-10	180-8-14	180-8-14	180-8-16	180-10-16	180-10-16	180-10-16				285-8-20													
				120-8-8	150-8-10	180-8-16	180-8-16	180-10-16	225-8-16	225-8-16	225-8-16																	
	SAE ISO 7647		87-4-8	97-4-9,5	116-4-11,1	116-4-12,2	150-4-14,1	174,6-8-9,6	203,2-8-10,1	203,2-8-10,1	203,2-12-10,1																	
				114-4-12,4	146-4-12,7	146-4-14,9	174,6-8-9,6	203,2-8-10,1	203,2-12-10,1	203,2-12-10,1	203,2-12-12,1																	
	CROSS SERRATED ISO 12667		100-4-8,5	122-4-11	120-4-11	120-4-11	150-4-13	150-4-13	180-4-15	180-4-16																		
			122-4-11		150-4-13	150-4-13	180-4-15	180-4-15																				
	DIN with FACE KEY										225-8-17 K 32x9	225-8-17 K 32x9	225-8-17 K 32x9	225-8-17 K 32x9	225-8-17 K 32x9	250-8-19 K 40x12	285-8-21 K 40x15	315-10-23 KK 40x15	350-10-23 K 50x16	390-10-25 K 70x18	435-16-28 K 80x20	490-16-31 K 90x22,5	550-16-31 K 100x22,5	620-16-38 K 100x25				
												250-8-19 K 40x12	250-8-19 K 40x12	250-8-19 K 40x12	250-8-19 K 40x12	285-8-21 K 40x15	315-10-23 K 40x15	350-10-23 K 50x16	390-10-25 K 70x18	435-16-28 K 80x20	490-16-31 K 90x22,5	550-16-31 K 100x22,5	620-16-38 K 100x25					
															285-8-21 K 40x15													
	HIRTH SERRATED												225-8-14		250-8-16	285-10-16	315-10-18	350-12-18	390-10-20	435-16-20	490-16-22	550-16-24	620-24-26	680-24-30	750-24-31	840-24-38		
												250-8-16		285-10-16	315-10-18	350-12-18	390-10-20	435-16-20	490-16-22	550-16-24	620-24-26	680-24-30						

DEFINITIONS	CARDAN SHAFT TYPE			
	CS	TS	DCS	DTS
	Cardan shaft with length compensation	Cardan shaft tubular design, without length compensation	Cardan shaft with length compensation, double flange design	Cardan shaft tubular design, without length compensation, double flange design
	RATING [Nm] T _{MAX} = maximum static torque capacity, based on material strength T _{MAT} = reversing, dynamic torque capacity, based on material strength U _{LT} = U-Joint life torque capacity, based on the bearing data	DIMENSIONS [Nm] J _{SD} = over all swing diameter across the U-Joint LC = compressed length LS = length compensation	DIMENSIONS [Nm] LF = fixed length (for type TS and DTS) β = standard deflection angle, which may vary depending on design/length	FLANGE YOKE CONFIGURATION [Nm] flange outer diameter - number of bores - bore diameter K (facekey) width x height

Sicit



Sicit®



Sicit Srl - Società industriale Crociere Italiane Torino
Via Pinerolo, 34 - 10060 Frossasco (TO) - Italy
Tel. +39.(0)121.352668 / +39 (0)121.355046
Fax +39.(0)121.352900
sicitsrl@sicit.it

MADE IN ITALY

www.sicit.it

